

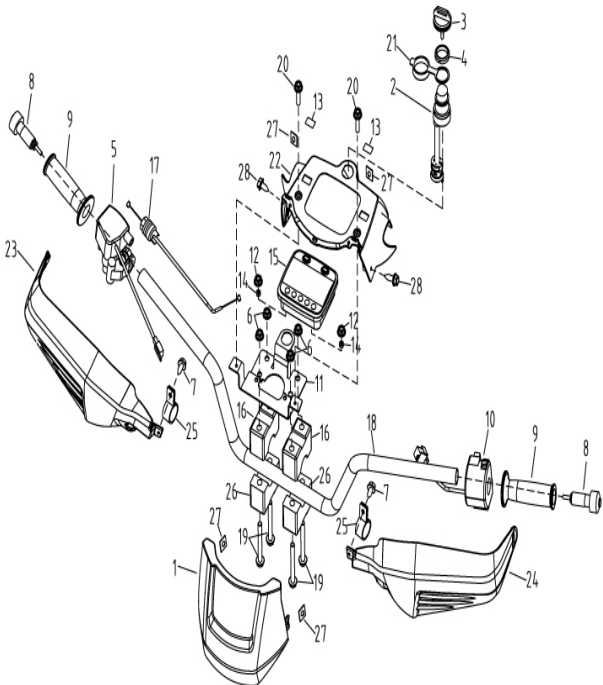
PARTS MANUAL

LH300ATV-D MODEL

USA

↔ Interchangeable; ≠ Noninterchangeable; ← New for old → old for new

1 HANDLEBAR

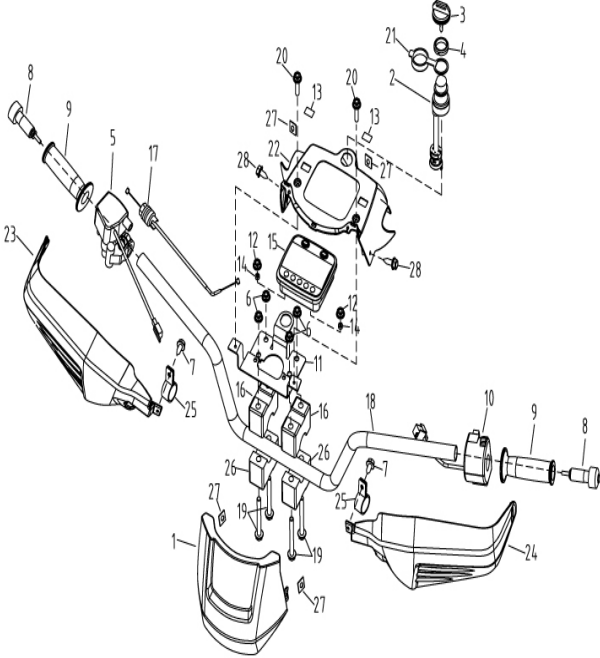


| REF. No. | PART NO. | DESCRIPTION | Q'T Y | I/C | PIN | 图号 | 名称 |
|----------|----------|--|-------|-----|------------------|----|-------------------------|
| 1 | 27415 | FRONT SPEEDOMETER COVER | 1 | | 4AD-21520-10 | | 把手罩前部 |
| 2 | 27457 | IGNITION SWITCH WITH KEY (USED FOR WATERPROOF) | 1 | | 4AL-82500-00 | | 电门锁 (防水款) |
| 3 | 27457 | KEY BLANK | 1 | | LH260ATV.19.9f | | 钥匙坯 |
| 4 | 25003 | THREADED NUT | 1 | | LH260ATV.19.9B.1 | | 锁紧螺母 |
| 5 | 20109A | THROTTLE CONTROL (WITH 2WD/4WD SWITCH)(WITHIN DIFF-LOCK) | 1 | | LH260ATV.5.2C | | 油门固定座组件(含4WD切换开关)(加长手柄) |
| 6 | 10079 | NUT M8 | 4 | | B51L30800R | | 螺母 M8 |
| 7 | 11053 | SCREW ST4.8X12 | 2 | | 97704-50012 | | 秃头自攻螺钉ST4.8X12 |
| 8 | 72037 | NEW GUARD,HANDLEBAR END ASSY. (MATCH WITH NEW HANDLEBAR) | 2 | | 4AA-26202-00 | | 堵头组件 |
| 9 | 36438 | GRIP | 2 | | 4BE-26101-00 | | 把手套 (加厚) |
| 10 | 25007 | SWITCH ASSY (FOR EUROPE) | 1 | | LH260ATV.19.7f | | 左手把开关 (用于美标) |
| 11 | 25008 | SPEEDOMETER BRACKET | 1 | | 4AR-22531-00 | | 仪表安装板 |
| 12 | 10004 | NUT M6 | 2 | | B51L30600R | | 螺母 M6 |
| 13 | 25010 | SPEEDOMETER COVER CAP (FOR EUROPE) | 1 | | 4AB-83501-00 | | 仪表前罩装饰盖 |
| 14 | 70447 | RUBBER WASHER | 2 | | 4AB-21211-00 | | 塑料件缓冲垫 |
| 15 | 25012 | LCD SPEEDOMETER (FOR USA) | 1 | | LH260ATV-B.23.5a | | 仪表(液晶美标) |
| 16 | 20112a | HANDLEBAR CLAMP | 2 | | 4AL-26113-00 | | 方向把压块 |
| 17 | 20114b | THROTTLE CABLE | 1 | | LH260ATV.5.3a | | 油门钢索组件 |
| 18 | 27385a | HANDLEBAR | 1 | | 4AC-26111-10 | | 方向把 (电喷) |

| | | | | | |
|----|--------|--------------------------------|---|--------------|----------|
| 19 | 10531 | BOLT M8X80 | 4 | B15L30872R | 螺栓 M8X72 |
| 20 | 70843A | SCREW M5X16 | 2 | GB/T818 | 螺钉 M5X16 |
| 21 | 27257 | IGNITION SWITCH COVER | 1 | 4AL-82501-00 | 电门锁橡胶盖 |
| 22 | 27416 | REAR SPEEDOMETER COVER | 1 | 4AD-21530-10 | 把手罩后部 |
| 23 | 27417 | HANDLEBAR COVER RIGHT | 1 | 4AA-28366-00 | 右护手 |
| 24 | 27418 | HANDLEBAR COVER LEFT | 1 | 4AA-28365-00 | 左护手 |
| 26 | 27419 | HANDLE COVER INSTALLATION BELT | 2 | 4AA-26282-00 | 把手罩安装带 |

↔ Interchangeable; ≠ Noninterchangeable; ← New for old → old for new

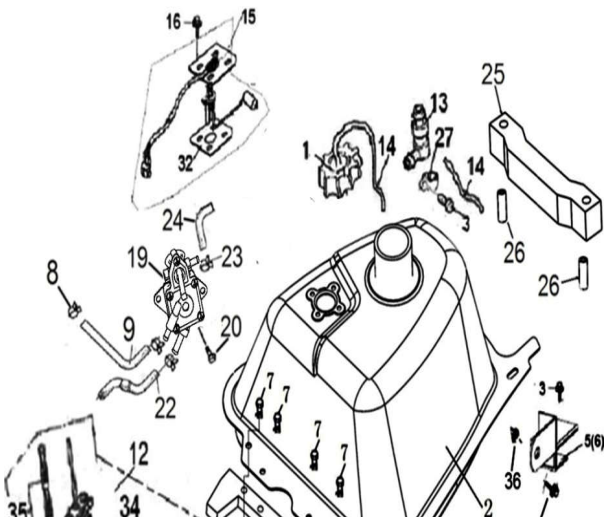
1 HANDLEBAR



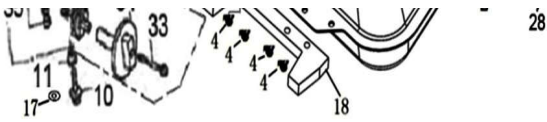
| REF. No. | PART NO. | DESCRIPTION | Q'T Y | I/C | PIN | 图号 | 名称 |
|----------|----------|----------------------|-------|-----|--------------|----|--------------|
| 27 | 20112a | HANDLEBAR DOWN CLAMP | 2 | | 4AL-26113-00 | | 方向把下压块 |
| 28 | 22346 | CLAMP 4.8 | 4 | | LYM100T.6-2 | | 弹性卡子4.8 |
| 29 | 10520 | SCREW ST4.8X12 | 4 | | B21A34J12R | | 自攻螺钉ST4.8X12 |

↔ Interchangeable; ≠ Noninterchangeable; ← New for old → old for new

2 FUEL TANK IRON (FOR USA)



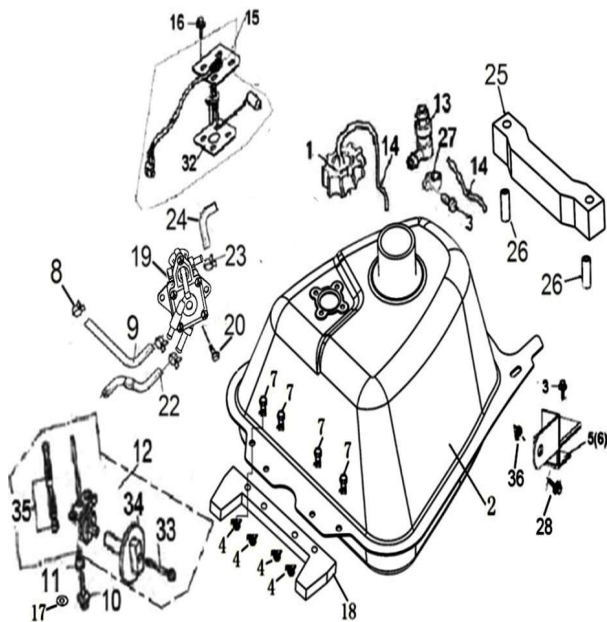
| REF. No. | PART NO. | DESCRIPTION | Q'T Y | I/C | PIN | 图号 | 名称 |
|----------|----------|------------------------|-------|-----|-----------------|----|----------|
| 1 | 70725 | FUEL CAP | 1 | | LH520ATV.8.3 | | 油箱盖 |
| 2 | 25304 | FUEL TANK | 1 | | 4AD-24110-00 | | 铁油箱 |
| 3 | 10005 | BOLT M6X60 | 2 | | GB/T16674.1 | | 螺栓 M6X60 |
| 4 | 10079 | NUT M8 | 4 | | GB/T6187 | | 螺母 M8 |
| 5 | 25023 | BRACKET,L | 1 | | LH260ATV-B.8-1 | | 左连接支架 |
| 6 | 25024 | BRACKET,R | 1 | | LH260ATV-B.8-2 | | 右连接支架 |
| 7 | 10168 | BOLT M8X16 | 4 | | GB/T16674.1 | | 螺栓 M8X16 |
| 8 | 27556 | HOSE CLAMP 1 | 2 | | LH250T-B.3-7 | | 弹簧卡箍φ12 |
| 9 | 27557 | FUEL LINE 1 | 1 | | LH260ATV-B.8C-2 | | 进油管 I |
| 10 | 10183 | BOLT M6X16 | 2 | | GB/T16674.1 | | 螺栓 M6X16 |
| 11 | 70742 | COLLAR | 2 | | LH520ATV.8-9 | | 安装隔套1 |
| 12 | 27558 | FUEL VALVE ASSY (RED) | 1 | | LH260ATV-B.8.2 | | 油箱开关 红色 |
| 13 | 25037 | VALVE,TANK, FUEL | 1 | | LH125T-12.11.5 | | 倾倒阀 |
| 14 | 25305 | TUBE,FUEL CAP BREATHER | 2 | | LH50ATV.8-10 | | 溢油管 |
| 15 | 25020 | FUEL UNIT SET ASSY | 1 | | LH260ATV-B.23.6 | | 汽油传感器组件 |
| 16 | 26010 | BOLT M5X12 | 4 | | GB/T9074.1 | | 螺栓 M5X12 |



| | | | | | |
|----|---------|--------------------|---|--------------------|----------|
| 17 | 10006 | WASHER 6 | 2 | GB/T97.1 | 平垫6 |
| 18 | 25306 | BRACKET,FUEL TANK | 1 | 4AD-24102-00 | 油箱前安装支架 |
| 19 | 20228 | FUEL PUMP ASSY | 1 | LH250T.3.3 | 汽油泵 |
| 20 | 10110 | BOLT M6X20 | 2 | GB/T16674.1 | 螺栓 M6X20 |
| 21 | 22918 | PIN SET | 2 | 170M.11-6 | 销套 |
| 22 | 25307 | TUBE,FUEL | 1 | LH260ATV-B.8C-1 | 出油管 I |
| 23 | 20218 | CLIP | 2 | LH250T.3-7 | 弹簧卡箍φ12 |
| 24 | 20231 | PIPE | 1 | LH260ATV.8.10 | 负压管 |
| 25 | 20209 | CUSHION,FUEL TANK | 1 | LH260ATV.8-1 | 油箱安装缓冲垫 |
| 26 | 20210 | BUSHING, FUEL TANK | 2 | LH260ATV.8-2 | 油箱安装衬套 |
| 27 | 880.021 | CLAMP | 1 | LH125T-12.11-4 | 倾倒阀门固定圈 |
| 28 | 10183 | BOLT M6X16 | 2 | GB/T16674.1 | 螺栓 M6X16 |
| 32 | 27561 | RUBBER WASHER | 1 | LH260ATV-B.23.6a-1 | 汽油传感器垫片 |

↔ Interchangeable; ≠ Noninterchangeable; ← New for old → old for new

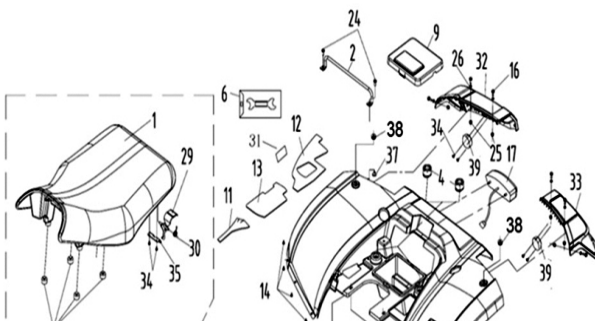
2 FUEL TANK IRON (FOR USA)



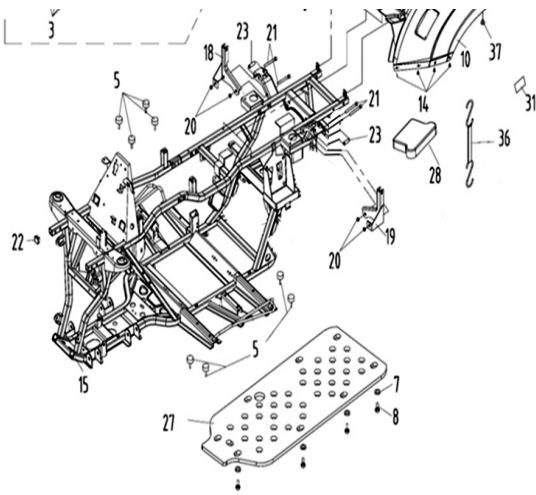
| REF. No. | PART NO. | DESCRIPTION | Q'T Y | I/C | PIN | 图号 | 名称 |
|----------|----------|--------------------------|-------|-----|-----|---------------------------------|-------|
| 33 | 25031 | SCREW COMBINATION | 1 | | | LH260ATV-B.8.2.1 | 螺钉组合 |
| 34 | 25030 | LEVER, PETCOCK | 1 | | | LH260ATV-B.8.2-1 | 手柄 |
| 35 | 27562 | SCREW SET, FUEL STRAINER | 1 | | | LH260ATV-B.8.2-8 | 滤网O型圈 |
| 36 | 10004 | NUT M6 | 2 | | | LH260ATV-B.8.2-11 B51L30600R | 螺母 M6 |

↔ Interchangeable; ≠ Noninterchangeable; ← New for old → old for new

3 REAR FENDERS



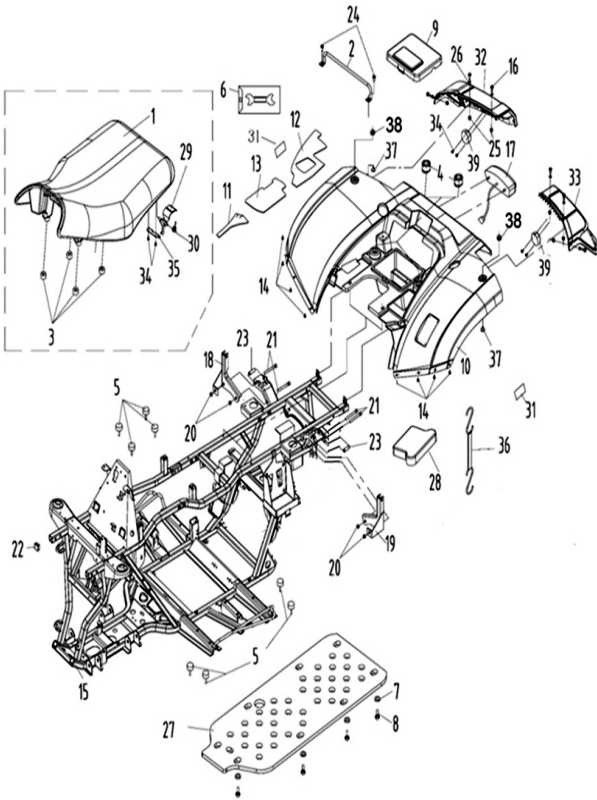
| REF. No. | PART NO. | DESCRIPTION | Q'T Y | I/C | PIN | 图号 | 名称 |
|----------|----------|------------------------|-------|-----|-----|-------------------|--------------|
| 1 | 25040 | SEAT (BLACK) (BASIC) | 1 | | | LH260ATV-B.9.1 | 座垫(黑色) (基本型) |
| 2 | 25041 | LATCH ASSEMBLY | 1 | | | LH260ATV-B.9-4 | 座垫锁杆 |
| 3 | 25042 | RUBBER, SEAT SETTING 1 | 6 | | | LH260ATV-B.9-1 | 缓冲块 |
| 4 | 70445 | RUBBER, SEAT SETTING 2 | 2 | | | LH520ATV.2-32 | 坐垫安装垫圈 |
| 5 | 20316 | RUBBER PAD | 8 | | | LH260ATV.1.15 | 弹性安装螺母 |
| 6 | 25044 | TOOL | 1 | | | LH260ATV-B.GJ.1 | 1工具组 |
| 7 | 20331 | WASHER 6 | 8 | | | LH260ATV.2-27 | 安装垫圈 |
| 8 | 10191 | BOLT M6X18 | 8 | | | GB/T16674.1-M6X18 | 螺栓M6X18 |
| 9 | 25045 | TOOL BOX CAP | 1 | | | LH260ATV-B.2-9 | 工具箱盖 |
| 10 | 20404a | REAR FENDER | 1 | | | LH260ATV.2-6A | 后护罩 |



| | | | | | |
|----|-------|-----------------------------------|---|-------------------|----------------|
| 11 | 25047 | FOOTREST RIGHT ADIABATIC PELLICLE | 1 | LH260ATV-B.2-12 | 右脚踏板隔热膜 |
| 12 | 25048 | REAR MUD ADIABATIC PELLICLE 1 | 1 | LH260ATV-B.2-14 | 后护罩隔热膜1 |
| 13 | 25049 | REAR MUD ADIABATIC PELLICLE 2 | 1 | LH260ATV-B.2-13 | 后护罩隔热膜2 |
| 14 | 10420 | SCREW M6X16 | 8 | GB/T818 M6X16 | 十字槽大盘头螺钉M6 X16 |
| 15 | 25308 | FRAME ASSY. | 1 | 4AN-21110-10 | 车架焊接组件(美标) |
| 16 | 10006 | WASHER 6 | 8 | GB/T97.1 | 平垫6 |
| 17 | 25053 | TAILLIGHT | 1 | LH260ATV-B.23.2 | 后尾灯 |
| 18 | 25054 | TRESTLE RIGHT | 1 | LH260ATV-B.22.3 | 后货架前右安装板 |
| 19 | 25055 | TRESTLE LEFT | 1 | LH260ATV-B.22.2 | 后货架前右安装板 |
| 20 | 25056 | BOLT M8X70 | 4 | GB/T16674.1 | 螺栓 M8X70 |
| 21 | 10776 | NUT 8 | 4 | B53A20800R | 螺母M8 |
| 22 | 70287 | RUBBER COVER | 4 | 4AB-21206-00 | 方管橡胶盖 |
| 23 | 35838 | SPACER | 4 | LH260ATV.1-9 | 隔套 |
| 24 | 10140 | BOLT M6X12 | 2 | GB/T16674.1 M6X12 | 螺栓M6X12 |
| 25 | 10004 | NUT6 | 8 | GB/T6187 | 螺母6 |
| 26 | 10008 | BOLT M6X20 | 4 | GB/T70.2 | 螺栓 M6X20 |
| 27 | 27312 | PLASTIC PLANT | 1 | LH400ATV-2.2-26 | 底盘护板 |
| 28 | 35078 | BATTERY COVER | 1 | 4AV-28331-00 | 电瓶盒盖 |

↔ Interchangeable; ≠ Noninterchangeable; ← New for old → old for new

3 REAR FENDERS



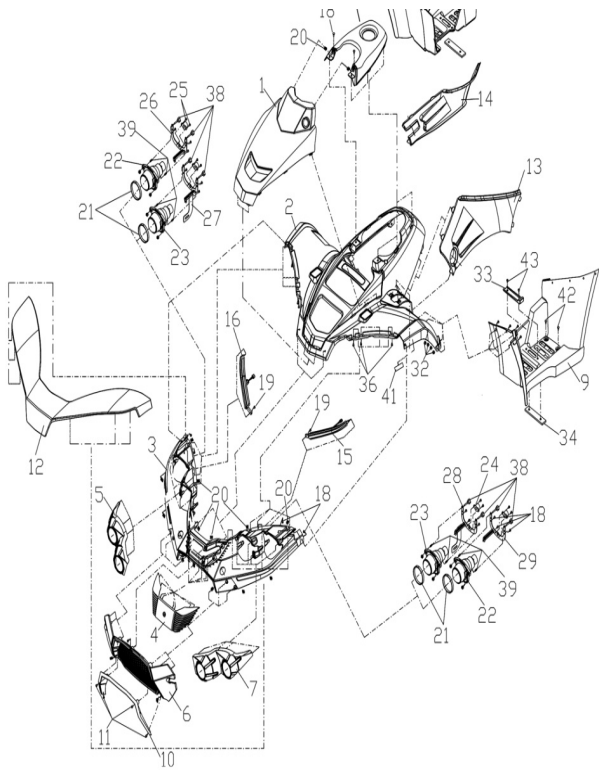
| REF. No. | PART NO. | DESCRIPTION | Q'T Y | I/C PIN | 图号 | 名称 |
|----------|----------|-------------------------|-------|---------|------------------|-------------|
| 29 | 70788 | HOOK BRACKET, SEAT LOCK | 1 | | LH520ATV.9.1.1 | 扳手支架 |
| 30 | 70802 | SPRING | 1 | | LH520ATV.9.1-2 | 扭簧 |
| 31 | 71960 | REFLECTION STICK (RED) | 2 | | 4CC-85102-00 | 后反射贴条(红色) |
| 32 | 27383 | TAILLIGHT COVER, R | 1 | | LH400ATV-2B.2-8 | 右尾灯护罩 |
| 33 | 27382 | TAILLIGHT COVER, L | 1 | | LH400ATV-2B.2-7 | 左尾灯护罩 |
| 34 | 10178 | SCREW M6X16 ST4.2X13 | 2 | | GB/T845 ST4.2X13 | 螺钉 ST4.2X13 |
| 35 | 70803 | BAFFLE SEAT | 1 | | LH520ATV.9.1-3 | 座垫挡板 |
| 36 | 70412 | TIE (30Ah) | 1 | | 4AB-82130-00 | 电瓶扎带(18Ah) |
| 37 | 70449 | COVER BUFFER | 2 | | LH520ATV.2-39 | 护罩缓冲套 |
| 38 | 70543 | SPACER, COVER BUFFER | 2 | | LH520ATV.2-40 | 护罩缓冲套隔套 |
| 39 | 35840 | REAR TURNLIGHT COVER | 2 | | 4AD-28378-00 | 后转向灯盖 |

↔ Interchangeable; ≠ Noninterchangeable; ← New for old → old for new

4 FRONT BODY & FRAM



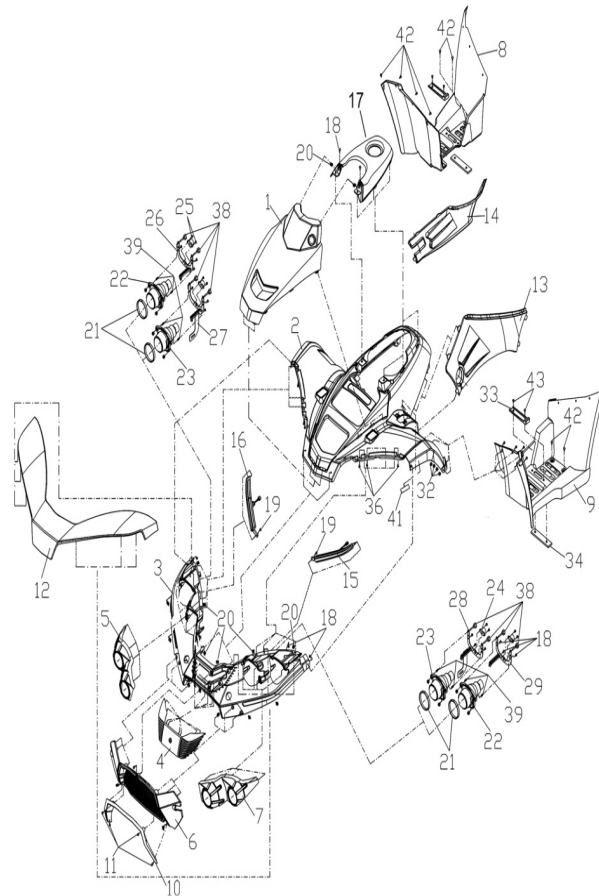
| REF. No. | PART NO. | DESCRIPTION | Q'T Y | I/C PIN | 图号 | 名称 |
|----------|----------|----------------|-------|---------|-----------------|------|
| 1 | 25064 | FRONT COVER | 1 | | LH260ATV-B.2-2 | 前面板 |
| 2 | 20403B | FRONT BODY | 1 | | LH260ATV.2-5B | 前护罩 |
| 3 | 27357 | PLASTIC BUMPER | 1 | | LH400ATV-2B.2-1 | 前罩 |
| 4 | 27363 | FRONT COVER | 1 | | LH400ATV-2B.2-2 | 前装饰盖 |



| | | | | | |
|----|-------|-----------------------------|----|--------------------|--------------|
| 5 | 27365 | PROTECTOR.R.HEADLIGHT | 1 | LH400ATV-2B.2-3 | 右侧框 |
| 6 | 27426 | PLATE, FRONT RACK | 1 | 4AD-21570-10 | 前保险杠装饰板 |
| 7 | 27376 | PROTECTOR.L.HEADLIGHT | 1 | LH400ATV-2B.2-4 | 左侧框 |
| 8 | 25071 | FOOTREST RIGHT | 1 | LH260ATV-B.2-8 | 右脚踏板 |
| 9 | 25072 | FOOTREST LEFT | 1 | LH260ATV-B.2-7 | 左脚踏板 |
| 10 | 27427 | INSERTS, FRONT RACK | 1 | 4AD-21580-10 | 前保险杠嵌件 |
| 11 | 10009 | SVREW ST4.8×16 | 4 | GB/T845 | 自攻螺钉ST4.8×16 |
| 12 | 27436 | BOARD, FRONT COVER | 1 | 4AD-21590-10 | 前面罩上装饰板 |
| 13 | 25077 | SIDE COVER L | 1 | LH260ATV-B.2-3 | 左侧板 |
| 14 | 25076 | SIDE COVER R | 1 | LH260ATV-B.2-4 | 右侧板 |
| 15 | 27434 | LED LIGHT, L | 1 | 4AD-84314-01 | LED左装饰灯 |
| 16 | 27435 | LED LIGHT, R | 1 | 4AD-84315-01 | LED右装饰灯 |
| 17 | 25093 | COVER,FUEL TANK TOP | 1 | LH260ATV-B.2-11 | 油箱盖板 |
| 18 | 10009 | SVREW ST4.8×16 | 18 | GB/T845 | 自攻螺钉ST4.8×16 |
| 19 | 10178 | SVREW ST4.2×13 | 20 | GB/T845 | 自攻螺钉ST4.2×13 |
| 20 | 22346 | NUT ST4.8 | 22 | LYM100T.6-2 | 弹性卡扣螺母ST4.8 |
| 21 | 35842 | CUSHION | 4 | 4AD-84308-00 | 前大灯缓冲海绵条 |
| 22 | 27455 | HIGH BEAM | 2 | 4AD-84301-00 | 前远光灯 |
| 23 | 27456 | DIPPED HEADLIGHT | 2 | 4AD-84310-00 | 前近光灯 |
| 24 | 27371 | BALL JOINT, HEADLIGHT | 4 | LH400ATV-2B.23.5.1 | 大灯球头安装板 |
| 25 | 11100 | SCREW M4×12 | 8 | GB/T9074.5 | 螺钉M4×12 |
| 26 | 27428 | HIGH BEAM BRACKET, R | 1 | 4AD-22520-10 | 右远光灯安装支架组件 |
| 27 | 27431 | DIPPED HEADLIGHT BRACKET, R | 1 | 4AD-22540-10 | 右近光灯安装支架组件 |

↔ Interchangeable; ≠ Noninterchangeable; ← New for old → old for new

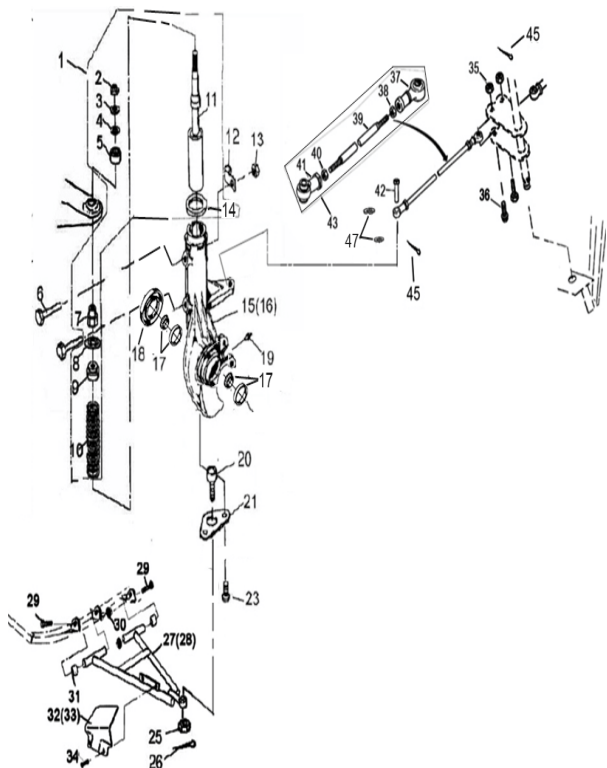
4 FRONT BODY&FRAM



| REF. No. | PART NO. | DESCRIPTION | Q'T Y | I/C | PIN | 图号 | 名称 |
|----------|----------|-----------------------------|-------|-----|-----|--------------------|----------------|
| 28 | 27433 | DIPPED HEADLIGHT BRACKET, L | 1 | | | 4AD-22530-10 | 左近光灯安装支架组件 |
| 29 | 27432 | HIGH BEAM BRACKET, L | 1 | | | 4AD-22510-10 | 左远光灯安装支架组件 |
| 32 | 11064 | NUT M6 | 8 | | | B53A20600R | 螺母M6 |
| 33 | 70336 | STEP (SHORT) | 2 | | | LH520ATV.1-6 | 钩牙钉板(短) |
| 34 | 70300 | RUBBER WASHER | 2 | | | LH520ATV.1-3 | 脚踏板缓冲橡胶块 |
| 36 | 10520 | SCREW ST4.8X12 | 6 | | | B21A34J12R | 自攻螺钉ST4.8X12 |
| 38 | 27372 | ADJUSTMENT BOLT, HEADLIGHT | 8 | | | LH400ATV-2B.23.5-1 | 大灯调节螺栓 |
| 39 | 27373 | SPRING | 8 | | | LH400ATV-2B.23.5-2 | 弹簧 |
| 41 | 71959 | FRONT REFLECTION TAPE | 2 | | | 4CC-85101-00 | 前侧反射贴(黄) |
| 42 | 10420 | SCREW M6X16 | 16 | | | GB/T818 M6X16 | 十字槽大盘头螺钉M6 X16 |
| 43 | 10127 | SCREW M6X20 | 4 | | | GB/T818 M6X20 | 十字槽大盘头螺钉M6 X20 |

↔ Interchangeable; ≠ Noninterchangeable; ← New for old → old for new

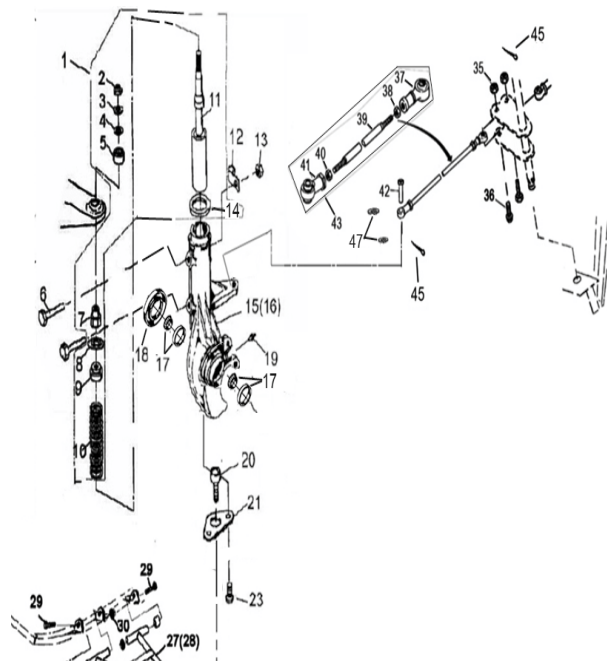
5 SHOCK ABSORBER FRONT



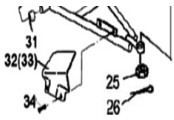
| REF. No. | PART NO. | DESCRIPTION | Q'T Y | I/C PIN | 图号 | 名称 |
|----------|----------|-------------------------------|-------|---------|------------------|---------------|
| 1 | 21820 | FRONT SHOCK ABSORBER ASSEMBLY | 2 | | LH260ATV.3.1 | 前减震器组件 |
| 2 | 10091 | NUT M14X1.5 | 2 | | GB/T6187.2 | 螺母 |
| 3 | 21802 | WASHR 14 | 2 | | LH260ATV.3.1-1 | 垫圈14 |
| 4 | 21803 | SPACER RUBBER | 2 | | LH260ATV.3.1-2 | 缓冲垫 |
| 5 | 21804 | UPPER PIVOT BALL | 2 | | LH260ATV.3.1-3 | 球碗A |
| 6 | 10093 | BOLT M8X55 | 4 | | GB/T5782-M8X55 | 螺栓 |
| 7 | 21806 | NUT M14X1.5 | 2 | | LH260ATV.3.1-6 | 螺母M14X1.5 |
| 8 | 21807 | LOWER PIVOT BALL | 2 | | LH260ATV.3.1-4 | 球碗B |
| 9 | 21808 | SPRING RETAINER | 2 | | LH260ATV.3.1-5 | 弹簧座 |
| 10 | 21809 | SPRING | 2 | | LH260ATV.3.1-7 | 前减震弹簧 |
| 11 | 25288 | STRUT BUMPER | 2 | | LH260ATV-B.3.1.1 | 前减震器贮液筒组件 |
| 12 | 21811 | CLAMP | 2 | | LH260ATV.5.1.1 | 碟刹油管固定卡 |
| 13 | 10079 | NUT M8 | 4 | | GB/T6187-M8 | 螺母 |
| 14 | 21813 | SPRING RETAINER | 2 | | LH260ATV.3.1-9 | 大垫圈 |
| 15 | 21814 | STRUT BODY LEFT | 1 | | LH260ATV.3.2.1 | 前减震器左支撑 |
| 16 | 21819 | STRUT BODY RIGHT | 1 | | LH260ATV.3.2.2 | 前减震器右支撑 |
| 17 | 10095 | BEARING | 4 | | GB297-320/28 4CC | 圆锥滚子轴承 |
| 18 | 21818 | SEAL SLEEVE | 2 | | LH260ATV.3.2.3 | 油封60.5X73.2X8 |
| 19 | 27074 | GREASE FITTING | 2 | | JB/T7940.1-M6 | 油杯 |
| 20 | 20512 | BALL JOINT STUD | 2 | | LH260ATV.3.2.4 | 前减震器支撑联轴节 |
| 21 | 20513 | BALL JOINT MOUNTING BRACKET | 2 | | LH260ATV.3.2-1 | 联轴节安装板 |
| 23 | 10022 | BOLT M6X12 | 4 | | GB/T819.1-M6X12 | 十字槽沉头螺栓 |
| 25 | 27067 | NUT M10X1.25 | 2 | | LH260ATV.3.2-3 | 开槽螺母M10X1.25 |
| 26 | 10501 | COTTER PIN 2.5X25 | 2 | | GB/T91-2.5X25 | 开口销 -2.5X25 |
| 27 | 20518F | A-ARM LEFT | 1 | | LH260ATV.1.8.2 | 左A臂焊接组件 |
| 28 | 20627F | A-ARM RIGHT | 1 | | LH260ATV.1.8.3 | 右A臂焊接组件 |
| 29 | 20522F | A-ARM PIVOT SHAFT | 4 | | LH260ATV.1.8a-3 | A臂轴 |
| 30 | 10136 | NUT M12X1.25 | 4 | | GB/T6187 | 螺母M12X1.25 |

↔ Interchangeable; ≠ Noninterchangeable; ← New for old → old for new

5 SHOCK ABSORBER FRONT

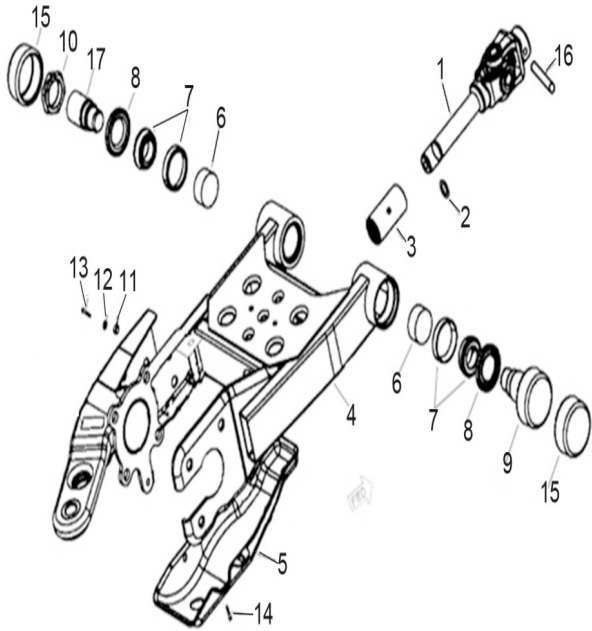


| REF. No. | PART NO. | DESCRIPTION | Q'T Y | I/C PIN | 图号 | 名称 |
|----------|----------|----------------------|-------|---------|----------------------|-------------------|
| 31 | 20524 | BUSHING | 4 | | LH260ATV.1.8-1 | A臂缓冲套 |
| 32 | 20519 | A - ARM SHIELD LEFT | 1 | | LH260ATV.2-21 | 前左轴挡片 |
| 33 | 20628 | A - ARM SHIELD RIGHT | 1 | | LH260ATV.2-22 | 前右轴挡片 |
| 34 | 10001 | SCREW M5X12 | 4 | | GB/T818 | 螺钉-M5X12 |
| 35 | 10015 | NUT M10X1.25 | 2 | | GB/T6187-M10X1.25 | 螺母M10X1.25 |
| 36 | 27794 | BOLT M10X1.25X57 | 2 | | 4AV-26214-00 | 螺栓M10X1.25X57 |
| 37 | 20503 | TIE ROD END A | 2 | | LH260ATV.1.7.2-1 | 球头节A |
| 38 | 10017 | JAM NUT(RIGHT) | 2 | | GB/T6172-M12 | 螺母M12 |
| 39 | 20505 | TIE ROD | 2 | | LH260ATV.1.7.2-3 | 横拉杆 |
| 40 | 20506 | JAM NUT(LEFT) | 2 | | LH260ATV.1.7.2-5 | 锁紧螺母 |
| 41 | 20507 | TIE ROD END B | 2 | | LH260ATV.1.7.2-4 | 球头节B |
| 42 | 11107 | BOLT M10X1.25X65 | 2 | | GB/T5787-M10X1.25X65 | 球头安装螺栓M10X1.25X65 |
| 43 | 20629 | TIE ROD ASSY | 2 | | LH260ATV.1.7.2 | 转向横拉杆组件 |
| 45 | 27215 | COTTER PIN 2.5X25 | 4 | | GB/T91 | 开口销 -2.5X25 |
| 47 | 10019 | WASHER | 4 | | GB/T97.1 | 垫圈-10 |



↔ Interchangeable; ≠ Noninterchangeable; ← New for old → old for new

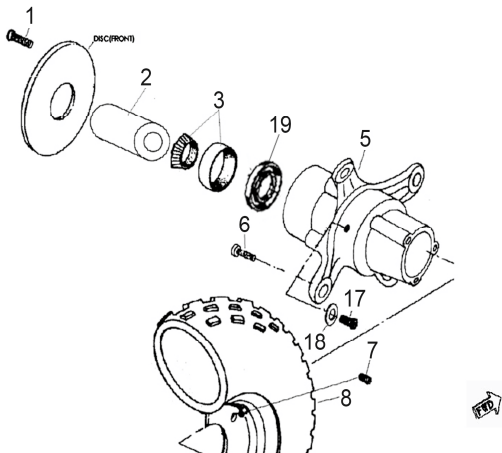
6 SWINGARM ASSY



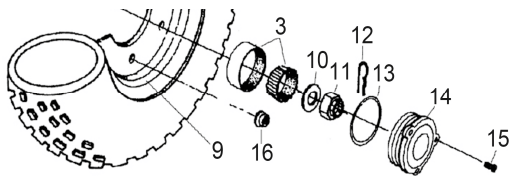
| REF. No. | PART NO. | DESCRIPTION | Q'T Y | I/C PIN | 图号 | 名称 |
|----------|----------|-----------------------------|-------|---------|-------------------|---------------|
| 1 | 25098 | REAR PROPSHAFT ASSY | 1 | | LH260ATV-B.13.1 | 万向节C |
| 2 | 11039 | O-RING | 1 | | GB3452.1-22.4X4 | O型圈 |
| 3 | 20703 | COUPLING-PROP SHAFT GREASED | 1 | | LH260ATV.13.2 | 花键套 |
| 4 | 25099 | SWINGARM ASSY | 1 | | LH260ATV-B.10.1.1 | 后摇架焊接组件 |
| 5 | 20705 | SKID PLATE REAR | 1 | | LH260ATV.10-1 | 后桥护板 |
| 6 | 20706 | SEAL-SWINGARM PIVOT | 2 | | LH260ATV.10.1-2 | 海面块4X5X20 |
| 7 | 10030 | BEAR | 2 | | GB/T297-30205 3CC | 圆锥滚子轴承 |
| 8 | 20708 | SEAL | 2 | | LH260ATV.10.1.2 | 油封31.8X54X6.5 |
| 9 | 20709 | SWING ARM PIVOT RIGHT | 1 | | LH260ATV.10.1-4 | 右固定轴 |
| 10 | 20710 | THREADED PIVOT | 1 | | LH260ATV.10.1-5 | 锁紧螺母 |
| 11 | 10031 | NUT M12 | 3 | | GB/T6187-M12 | 螺母 |
| 12 | 10032 | WASHER 12 | 3 | | GB/T97.1-12 | 垫圈 |
| 13 | 10033 | BOLT M12X35 | 3 | | GB/T5783-M12X35 | 螺栓 |
| 14 | 10034 | BOLT M8X12 | 3 | | GB/T16674.1-M8X12 | 螺栓 |
| 15 | 20715 | CAP SWINGARM PIVOT | 2 | | LH260ATV.2-33 | 后摇臂轴头盖 |
| 16 | 20716 | ROLL PIN | 1 | | LH260ATV.13-1 | 弹性销 |
| 17 | 20717 | SWINGARM PIVOT LEFT | 1 | | LH260ATV.10.1-3 | 左固定轴 |

↔ Interchangeable; ≠ Noninterchangeable; ← New for old → old for new

7 WHEEL FRONT



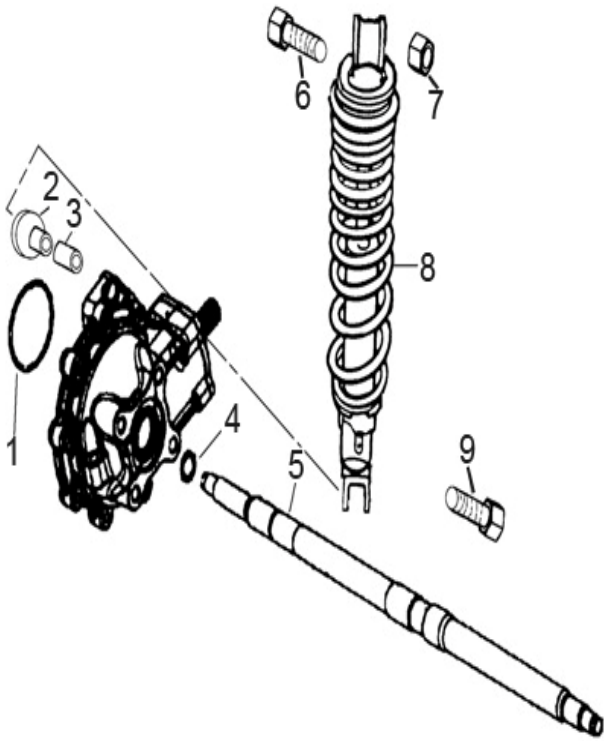
| REF. No. | PART NO. | DESCRIPTION | Q'T Y | I/C PIN | 图号 | 名称 |
|----------|----------|------------------------------------|-------|---------|-------------------|------------------|
| 1 | 10035 | BOLT M8X20 | 8 | | GB/T5783-M8X20 | 螺栓 |
| 2 | 20802 | SPACER (NOT FOR 4WD) | 2 | | LH260ATV.6-4 | 前轮隔套 |
| 3 | 10030 | BEARING (ONLY FOR 4WD) | 2 | | GB/T297-30205 3CC | 圆锥滚子轴承 (4WD 使用) |
| 5 | 20805a | HUB ASSY SHRT (FOR 4WD) | 2 | | LH260ATV.6.3-1a | 前轮毂(四驱) |
| 6 | 20806 | WHEEL STUD | 8 | | LH260ATV.6-3 | 联接螺栓(与铁轮配套使用) |
| 7 | 20810 | VALVE RIM (PVR70) (FOR IRON WHEEL) | 4 | | GB/T1796.1 | 气门嘴组件 弯的 (铁轮使用) |
| 8 | 20808 | TIRE FRONT (MARK IN "DURO") | 2 | | LH260ATV.6.1.2 | 前轮胎AT24X8-12(华丰) |
| 9 | 20809b | WHEEL FRONT (IRON AND BLACK) | 2 | | T000807BK | 前轮辋 (铁的 黑色) |
| 10 | 20810 | WASHER (FOR 4WD) | 2 | | LH260ATV.6-6 | 垫圈(四驱) |
| 11 | 20811A | SLOTTED NUT (FOR 4WD) | 2 | | LH260ATV.6-1a | 开口槽螺母M16X1.5(四驱) |
| 12 | 10051 | COTTER PIN | 2 | | GB/T91-4X36 | 开口销-4X36 |



| | | | | | |
|----|-------|-----------------------------------|---|--------------------|------------------|
| 13 | 10039 | O-RING | 2 | GB3452.1-46.5X2.65 | O型圈 |
| 14 | 20814 | HUB CAP 2-LOBE AWD | 2 | LH260ATV.6-2 | 轮毂盖 |
| 15 | 10040 | SCREW M5X16 | 6 | GB/T70.1-M5X16 | 螺钉 |
| 16 | 10015 | LUG NUT M10X1.25 (BLACK FOR IRON) | 8 | GB/T6187-M10X1.25 | 螺母 (铁轮使用黑色) |
| 17 | 20817 | LUG | 1 | 153FM.18-3 | 放油螺栓M8 |
| 18 | 20818 | WASHER | 1 | 153FM.18-2 | 平垫圈 |
| 19 | 20804 | SEAL SLEEVE 66.6x82.5x12.8 | 2 | LH260ATV.6.4 | 油封66.6x82.5x12.8 |

↔ Interchangeable; ≠ Noninterchangeable; ← New for old → old for new

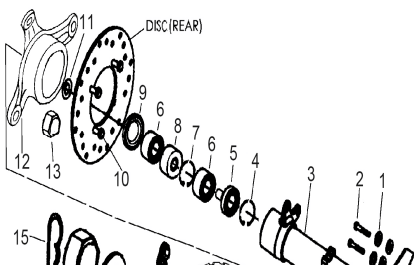
8 SHOCK ABSORBER REAR



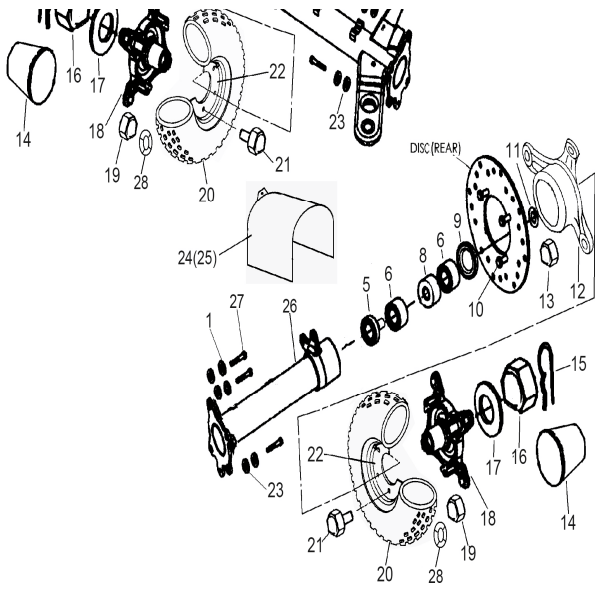
| REF. No. | PART NO. | DESCRIPTION | Q'T Y | I/C PIN | 图号 | 名称 |
|----------|----------|---|-------|---------|--------------------|-----------|
| 1 | 20901 | O-RING | 1 | | LH260ATV.12-5 | O型圈79X4 |
| 2 | 20902 | CUSHION PAD | 2 | | LH260ATV.4-4 | 后减震器下缓冲块 |
| 3 | 20903 | SPACER-BEARING | 1 | | LH260ATV.4-3 | 中间衬套 |
| 4 | 11041 | O-RING | 2 | | GB3452.1-22.4X3.55 | O型圈 |
| 5 | 25102 | REAR AXLE (FOR EUROPE AND PARKING SYSTEM I) | 1 | | LH260ATV-B.7-1 | 后轴 |
| 6 | 20906 | UP BOLT M10X1.25X57 | 1 | | LH260ATV.4-1 | 后减震器上安装螺栓 |
| 7 | 10015 | NUT M10X1.25 | 2 | | GB/T6187-M10X1.25 | 螺母 |
| 8 | 25104 | SHOCK ABSORBER REAR | 1 | | LH260ATV-B.4.1 | 后减震器组件 |
| 9 | 20909 | DOWN BOLT M10X1.25X57 | 1 | | LH260ATV.4-2 | 后减震器下安装螺栓 |

↔ Interchangeable; ≠ Noninterchangeable; ← New for old → old for new

9 WHEEL REAR



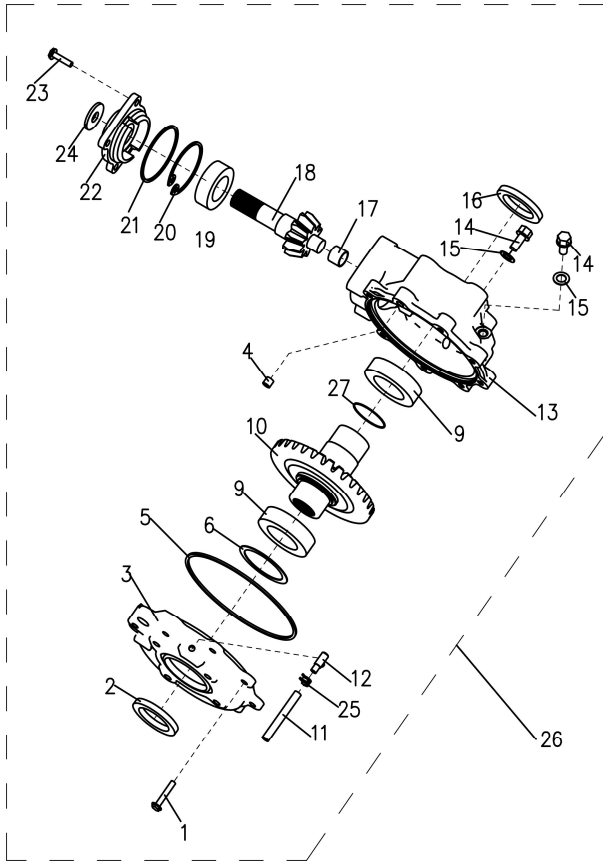
| REF. No. | PART NO. | DESCRIPTION | Q'T Y | I/C PIN | 图号 | 名称 |
|----------|----------|-----------------------------------|-------|---------|--------------------|-----------|
| 1 | 10032 | WASHER 12 | 8 | | GB/T97 | 弹垫-12 |
| 2 | 10035 | BOLT M12X30 | 4 | | GB/T5783 | 螺栓-M12X30 |
| 3 | 25245 | AXLE TUBE AND HITCH ASSEMBLY LEFT | 1 | | LH260ATV-B.10.2.1a | 后桥梁焊接组件 |
| 4 | 21004 | RING RETAINER INT | 2 | | LH260ATV.7-2 | 轴用挡圈 |
| 5 | 21005 | SPACER | 2 | | LH260ATV.7-3 | 轴套 |
| 6 | 10199 | BEARING BALL DBL SEAL | 4 | | GB/T276 | 轴承6206-2Z |
| 7 | 10047 | RING RETAINER INT | 1 | | GB893.2 | 孔用弹性挡圈-62 |
| 8 | 21008 | SPACER-BEARING | 2 | | LH260ATV.10.2-1 | 中间隔套 |



| | | | | | |
|----|--------|------------------------------------|---|------------------|--------------------|
| 9 | 21009 | SEAL REAR AXLE | 2 | LH260ATV.10.2.2 | 油封36.5X62X7 |
| 10 | 10048 | BOLTS M10X1.25X20 | 6 | GB/T5786 | 螺栓-M10X1.25X20 |
| 11 | 10221 | O-RING | 2 | GB3452.1 | O型圈-25X2.55 |
| 12 | 21012 | HUB BRAKE DISC MACH | 2 | LH260ATV.7-4 | 后碟刹盘安装座 |
| 13 | 10050 | NUT M10X1.25 | 6 | GB/T6173 | 薄螺母-M10X1.25 |
| 14 | 21014 | AXLE CAP | 2 | LH260ATV.2-32 | 后轮轴头护套 |
| 15 | 10051 | COTTER PIN | 2 | GB/T91 | 开口销-4X36 |
| 16 | 21017 | NUT SLOTTED M20X2 | 2 | GB/T9459 | 开槽螺母-M20X2 |
| 17 | 21017 | WASHER | 2 | LH260ATV.7-6 | 垫圈 |
| 18 | 21018 | WHEEL HUB | 2 | LH260ATV.7-5 | 后轮毂 |
| 19 | 21019 | LUG NUT M12X1.25 | 8 | LH260ATV.7-7 | 锁紧螺母M12X1.25 |
| 20 | 31020 | TIRE REAR (MARK IN "DURO") | 2 | LH260ATV.7.1.2 | 后轮胎AT24X11-10 (华丰) |
| 21 | 10053 | WHEEL STUD M12X1.25X45 | 8 | GB/T5786 | 螺栓-M12X1.25X45 |
| 22 | 21022b | WHEEL REAR (IRON AND BLACK) | 2 | T000809BK | 后轮辋(铁的 黑的) |
| 23 | 10054 | WASHER 12 | 8 | GB/T93.1 | 垫圈-12 |
| 24 | 21024 | BRAKE HOSE COVER(LEFT) | 1 | LH260ATV.2-31 | 碟刹管护套 (左) |
| 25 | 31024 | BRAKE HOSE COVER(RIGHT) | 1 | LH260ATV.2-31a | 碟刹管护套 (右) |
| 26 | 21025 | AXLE TUBE AND HITCH ASSEMBLY RIGHT | 1 | LH260ATV.10a.1.1 | 右后碟刹安装座 |
| 27 | 10033 | BOLT M12X35 | 4 | GB/T5783 | 螺栓-M12X35 |
| 28 | 21026 | WHEEL WASHER | 8 | LH260ATV.7-8 | 后螺栓锁紧垫圈 |

↔ Interchangeable; ≠ Noninterchangeable; ← New for old → old for new

10 REAR GEAR-BOX

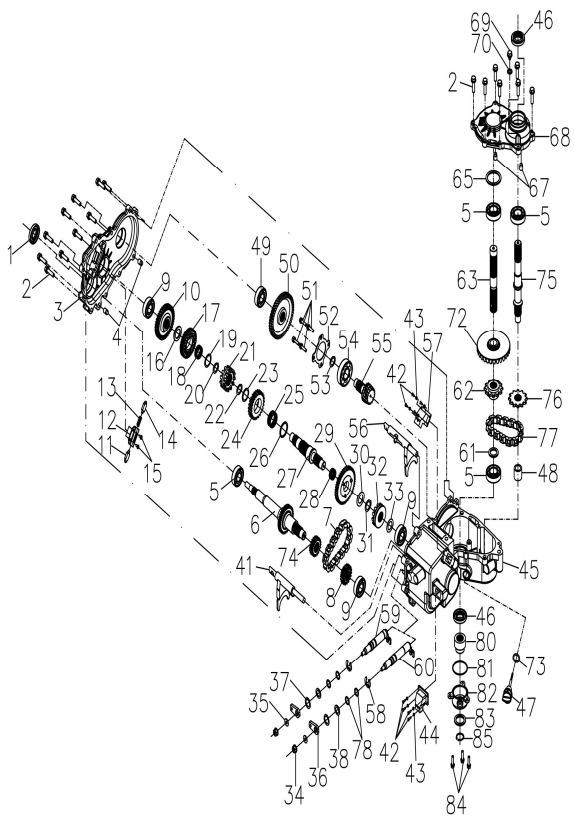


| REF. No. | PART NO. | DESCRIPTION | Q'T Y | I/C PIN | 图号 | 名称 |
|----------|----------|-------------------|-------|---------|----------------------|--------------|
| 1 | 10055 | BOLT M8X45 | 2 | | GB16674.1-M8X45 | 螺栓 |
| 2 | 21102 | SEAL 50X70X8 | 1 | | LH260ATV.12.1 | 油封50X70X8 |
| 3 | 21103 | OUTPUT COVER | 1 | | LH260ATV.12-2 | 后桥盖 |
| 4 | 21104 | DOWEL PIN | 1 | | LH260ATV.17-17 | 定位销 |
| 5 | 21105 | O-RING 176X2.65 | 1 | | LH260ATV.12-8 | O型圈176X2.65 |
| 6 | 21106 | SHIM | 1 | | LH260ATV.12-6 | 调整垫圈 |
| 9 | 10056 | BEARING 110 | 2 | | GB276-110 | 轴承 |
| 10 | 21110 | RING GEAR | 1 | | LH260ATV.12-7 | 后桥输出轴 |
| 11 | 21111 | VENT | 1 | | LH260ATV.12-14 | 通气管 |
| 12 | 21112 | BEARING | 1 | | LH260ATV.12.3 | 通气嘴 |
| 13 | 21113 | DRIVE HOUSING | 1 | | LH260ATV.12-1 | 后桥体 |
| 14 | 21114 | OIL PLUG | 2 | | LH260ATV.17-10 | 加油螺塞 |
| 15 | 21115 | WASHER | 2 | | LH260ATV.17-11 | 铝垫A |
| 16 | 21102 | SEAL 50X70X8 | 1 | | LH260ATV.12.1 | 油封50X70X8 |
| 17 | 10057 | BUSHING P23X20X15 | 1 | | GB12613-P23X20X15 | 轴套 |
| 18 | 21118 | PINION SHAFT | 1 | | LH260ATV.12-9 | 后桥输入轴 |
| 19 | 10058 | BEARING 6306ST | 1 | | GB/T296-6306ST | 轴承 |
| 20 | 21120 | RETAINER 30 | 1 | | LH260ATV.12-11 | 挡圈30 |
| 21 | 20901A | O-RING 79X2.65 | 1 | | LH260ATV.12-10 | O型圈79X2.65 |
| 22 | 21122 | INPUT COVER | 1 | | LH260ATV.12-3 | 后桥前盖 |
| 23 | 10059 | BOLT M8X25 | 10 | | GB16674.1-M8X25 | 螺栓 |
| 24 | 21124 | SEAL 25X35X5 | 1 | | LH260ATV.12.2 | 油封25X35X5 |
| 25 | 25107 | CLAMP | 1 | | LH260ATV.12-12 | 卡箍 |
| 26 | 21125 | REAR GEARBOX ASSY | 1 | | LH260ATV.12 | 后桥总成 |
| 27 | 25609 | O-RING 35.5X3.55 | 1 | | GB/T3452.1-35.5X3.55 | O型圈35.5X3.55 |

↔ Interchangeable; ≠ Noninterchangeable; ← New for old → old for new

11 TRANSMISSION (FOR 4WD)

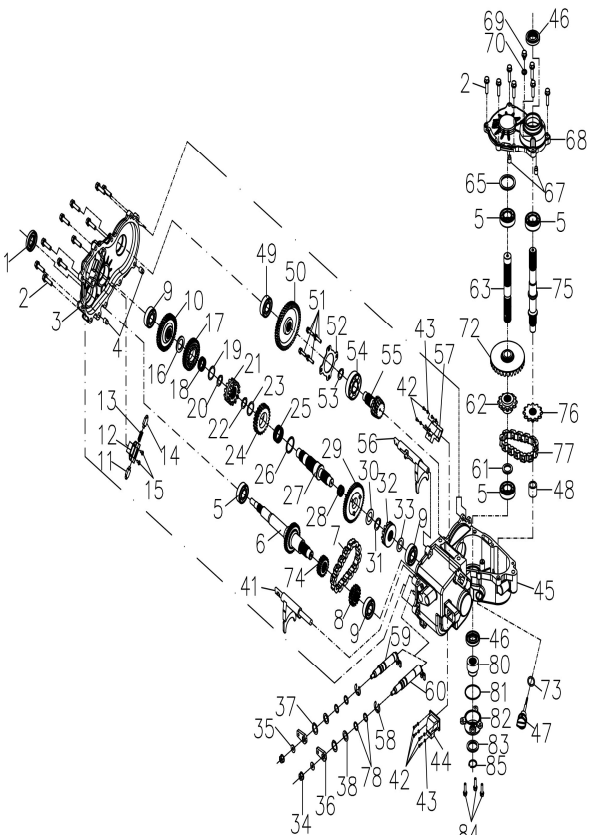
| REF. No. | PART NO. | DESCRIPTION | Q'T Y | I/C PIN | 图号 | 名称 |
|----------|----------|--------------|-------|---------|---------------|-----------|
| 1 | 21201 | SEAL 25X47X8 | 1 | | LH260ATV.17.7 | 油封25X47X8 |



| | | | | | |
|----|--------|--|----|-------------------|-------------------|
| 2 | 10060 | BOLT M8X28 | 17 | GB/T5787 | 螺栓-M8X28 |
| 3 | 21203b | MAIN COVER (USE WITH HIGH-POWER CLUTCH) | 1 | LH260ATV.17-6b | 变速箱左盖b(与大离合器配合使用) |
| 4 | 21104 | DOWEL PIN | 2 | LH260ATV.17-17 | 定位销 |
| 5 | 10061 | BEARING 6205c3 | 4 | GB/T276 | 轴承-6205C3 |
| 6 | 21206b | INPUT SHAFT (USE WITH HIGH-POWER CLUTCH) | 1 | LH260ATV.17.1-14d | 主轴(与大离合器配合使用) |
| 7 | 21207 | CHAIN | 1 | LH260ATV.17.1.3 | 齿形链 |
| 8 | 21208 | GEAR 16T | 1 | LH260ATV.17.1-12 | 低速主动齿轮 |
| 9 | 10062 | BEARING 6204 | 3 | GB/T276 | 轴承-6204 |
| 10 | 21210 | GEAR,HELICAL 35T | 1 | LH260ATV.17.1-2 | 过渡齿轮1 |
| 11 | 21211 | INTERLOCK PIN | 2 | LH260ATV.17-2 | 限位块 |
| 12 | 21212 | INTERLOCK BRACKET | 1 | LH260ATV.17-4 | 限位块压板 |
| 13 | 21213 | SPRING | 1 | LH260ATV.17-3 | 限位块弹簧 |
| 14 | 21211 | INTERLOCK PIN | 1 | LH260ATV.17-2 | 限位块 |
| 15 | 10001 | SCREW M5X12 | 2 | GB/T818 | 螺钉-M5X12 |
| 16 | 21216 | SPACER | 1 | LH260ATV.17.1-3 | 垫片25.5A |
| 17 | 21217 | GEAR 31T | 1 | LH260ATV.17.1-4 | 高速从动齿轮 |
| 18 | 21218 | NEEDLE BEARING 25 | 1 | LH260ATV.17.1.1 | 滚针轴承25X29X10 |
| 19 | 21219 | THRUST WASHER | 1 | LH260ATV.17.1-5 | 垫片25.5B |
| 20 | 10064 | SNAP RING | 1 | GB/T894.1-25 | 挡圈 25 |
| 21 | 21221 | DOG GEAR | 1 | LH260ATV.17.1-6 | 双面换挡盘 |
| 22 | 10065 | SNAP RING | 1 | GB/T894.1 | 挡圈-32 |
| 23 | 21223 | THRUST WASHER | 1 | LH260ATV.17.1-7 | 垫片32.5 |
| 24 | 21224 | SPROCKET 24T | 1 | LH260ATV.17.1-8 | 从动链轮 |
| 25 | 21225 | NEEDLE BEARING 25 | 1 | LH260ATV.17.1.2 | 滚动轴承32 |
| 26 | 21223 | THRUST WASHER | 1 | LH260ATV.17.1-7 | 垫片32.5 |
| 27 | 21327 | SHAFT | 1 | LH260ATV.17.1-1 | 副轴 |
| 28 | 21218 | NEEDLE BEARING 25 | 1 | LH260ATV.17.1.1 | 滚针轴承25X29X10 |

↔ Interchangeable; ≠ Noninterchangeable; ← New for old → old for new

11 TRANSMISSION (FOR 4WD)

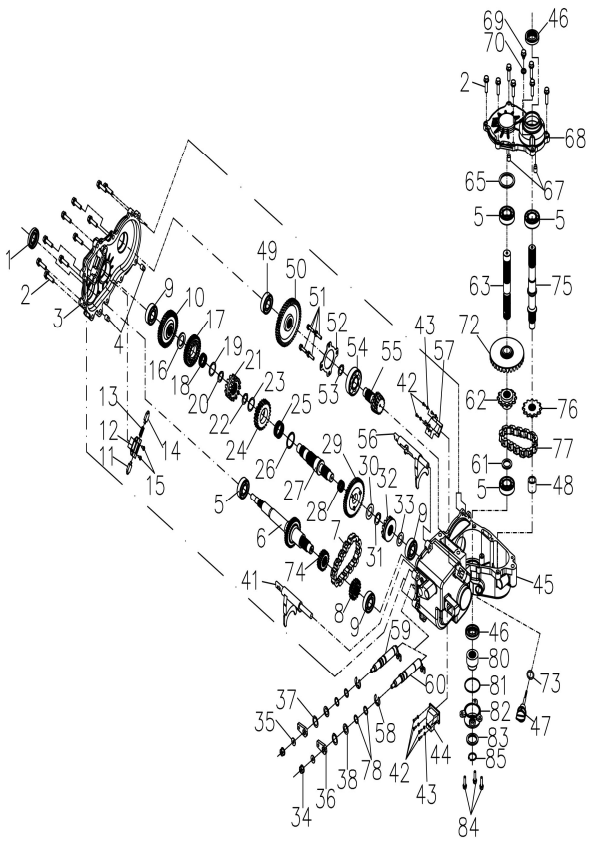


| REF. No. | PART NO. | DESCRIPTION | Q'T Y | I/C | PIN | 图号 | 名称 |
|----------|----------|-------------------------------------|-------|-----|-----|------------------|-----------------|
| 29 | 21329 | GEAR 35T | 1 | | | LH260ATV.17.1-9 | 低速从动齿轮 |
| 30 | 21223 | THRUST WASHER | 1 | | | LH260ATV.17.1-7 | 垫片32.5 |
| 31 | 10064 | SNAP RING | 1 | | | GB/T894.1 | 挡圈-25 |
| 32 | 21332 | ENGAGEMENT | 1 | | | LH260ATV.17.1-10 | 单面换挡盘 |
| 33 | 21333 | THRST WASHER | 1 | | | LH260ATV.17.1-11 | 垫片20 |
| 34 | 10067 | NUT M8 | 2 | | | GB/T6184 | 锁紧螺母-M8 |
| 35 | 10068 | WASHER 8 | 2 | | | GB/T97.1-8 | 垫圈 |
| 36 | 21336 | BELLCRANK | 2 | | | LH260ATV.17-8 | 花键板 |
| 37 | 10069 | SNAP RING | 2 | | | GB/T894.1 | 挡圈-19 |
| 38 | 21338 | WASHER | 2 | | | LH260ATV.17-9 | 垫圈A |
| 39 | 21339 | VENT TUBE | 1 | | | LH260ATV.17-7 | 通气管 |
| 40 | 21340 | VENT TUBE FITTING | 1 | | | LH260ATV.17.2-1 | 通气嘴 |
| 41 | 21341 | SHIFT FORK HIGH/REVERSE | 1 | | | LH260ATV.17-1 | 高速倒档拨叉 |
| 42 | 10007 | SCREW M4 | 8 | | | GB/T818 | 螺钉-M4X10 |
| 43 | 10071 | WASHER 4 | 8 | | | GB/T97.1 | 垫圈-4 |
| 44 | 21344 | GEAR INDICATOR SWITCH | 1 | | | LH260ATV.19.10 | 上档显开关 |
| 45 | 21345 | GEARCASE,RH | 1 | | | LH260ATV.17.2 | 变速箱组件 |
| | 21345b | GEARCASE,RH (USE WITH SPEED SENSOR) | 1 | | | LH260ATV.17.2a | 变速箱组件(与传感器配合使用) |
| 46 | 21201 | SEAL 25X47X8 | 1 | | | LH260ATV.17.6 | 油封25X47X8 |
| 47 | 21475 | DIPSTICK | 1 | | | 153FM.16-5 | 机油尺 |
| 48 | 10219 | BUSHING | 1 | | | GB/T12613 | 轴套 P22X19X20 |
| 49 | 10063 | BEARING 6204C3 | 1 | | | GB/T276 | 轴承-6204C3 |
| 50 | 21350 | GEAR HELICAL 46T | 1 | | | LH260ATV.17-16 | 过渡齿轮2 |
| 51 | 10073 | SCREW M6X10 | 4 | | | GB/T67-M6X10 | 螺钉 |
| 52 | 21351 | BEARING RETAINER PLATE | 1 | | | LH260ATV.17-15 | 轴承挡板 |
| 53 | 21453 | SNAP RING | 1 | | | LH260ATV.17-14 | 挡圈25 |

| | | | | | |
|----|-------|------------------|---|----------------|-----------|
| 54 | 10074 | BEARING 6305ST | 1 | GB/T276 | 轴承-6305ST |
| 55 | 21455 | PINION SHAFT 10T | 1 | LH260ATV.17-13 | 中间轴 |

↔ Interchangeable; ≠ Noninterchangeable; ← New for old → old for new

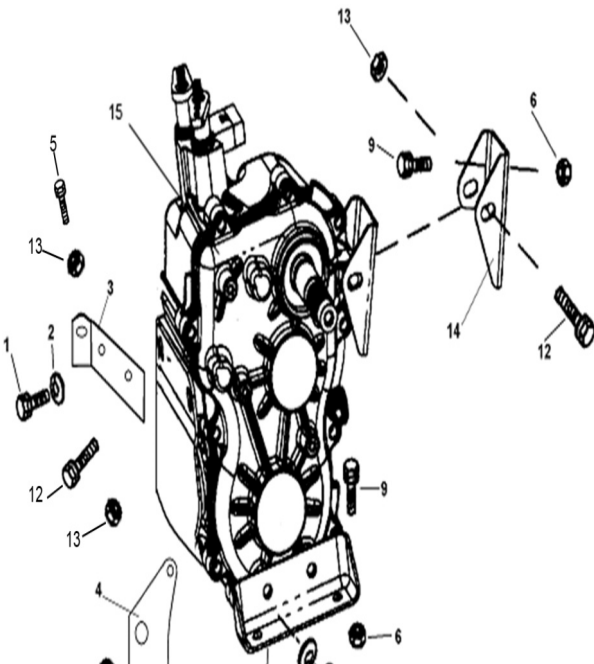
11 TRANSMISSION (FOR 4WD)



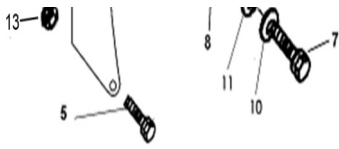
| REF. No. | PART NO. | DESCRIPTION | Q'T | I/C | PIN | 图号 | 名称 |
|----------|----------|--|-----|-----|-----|------------------|--------------------|
| 56 | 21456 | SHIFT FORK LOW | 1 | | | LH260ATV.17-5 | 低速拨叉 |
| 57 | 21457 | GEAR INDICATOR SWITCH | 1 | | | LH260ATV.19.11 | 下档显开关 |
| 58 | 10075 | SNAP RING | 2 | | | GB/T896 | 开口挡圈-15 |
| 59 | 21459 | SHIFT ROD LOW | 1 | | | LH260ATV.17.4 | 摇臂2 |
| 60 | 21460 | SHIFT ROD HIGH/REVERSE | 1 | | | LH260ATV.17.3 | 摇臂1 |
| 61 | 21461 | THRUST WASHER | 1 | | | LH260ATV.17-20 | 垫圈B |
| 62 | 21483 | SPORCKET 12T | 1 | | | LH260ATV.17-29S | 后驱动轴链轮 |
| 63 | 21463 | SHAFT REAR OUTPUTA (USE WITH SPEED SENSOR) | 1 | | | LH260ATV.17-19 | 后驱动轴 (与传感器配合使用) |
| 65 | 21465 | SHIM 1 | 1 | | | LH260ATV.17-22 | 垫圈C |
| 67 | 21104 | DOWEL PIN | 1 | | | LH260ATV.17-17 | 定位销 |
| 68 | 21468t | COVER | 1 | | | LH260ATV.17-21S | 变速箱前盖(四驱) |
| 69 | 21469 | DRAIN SCREW | 1 | | | LH260ATV.17.5 | 放油螺塞组件 |
| 70 | 21470 | WASHER | 1 | | | LH260ATV.17-12 | 铝垫B |
| 72 | 21462 | GEAR | 1 | | | LH260ATV.17-18 | 后驱动轴锥齿轮 |
| 73 | 10122 | O RING 18X2.65 | 1 | | | GB3452.1-82 | O型圈18X2.65 |
| 74 | 21477 | SPROCKET | 1 | | | LH260ATV.17.1-13 | 小链轮 |
| 75 | 21480 | SHAFT FRONT OUTPUT | 1 | | | LH260ATV.17-28S | 前驱动轴(四驱) |
| 76 | 21481 | SPORCKET 12T | 1 | | | LH260ATV.17-27S | 前驱动轴链轮(四驱) |
| 77 | 21482 | CHAIN | 1 | | | LH260ATV.17.6S | 滚子链(四驱) |
| 78 | 10123 | O RING 14X2.65 | 4 | | | GB/T3452.1 | O型圈14X2.65 |
| 80 | 25511A | COLLAR | 1 | | | LH260ATV.17.8.1 | 传感器隔套 |
| 81 | 25512 | O RING 50X1.5 | 1 | | | LH260ATV.17.8-1 | O型圈50X1.5 |
| 82 | 25513A | SPEED SENSOR COVER | 1 | | | LH260ATV.17.8-2 | 传感器装配外壳 |
| 83 | 27068 | SEAL30X40X5 | 1 | | | GB/T9877.1 | 油封30X40X5 |
| 84 | 10010 | BOLT | 3 | | | GB/T16674.1 | 螺栓M6X15 |
| 85 | 10164 | CLAMP 24 | 1 | | | GB/T894.1 | 挡圈 24 |

↔ Interchangeable; ≠ Noninterchangeable; ← New for old → old for new

12 SUPPORT BRACKET

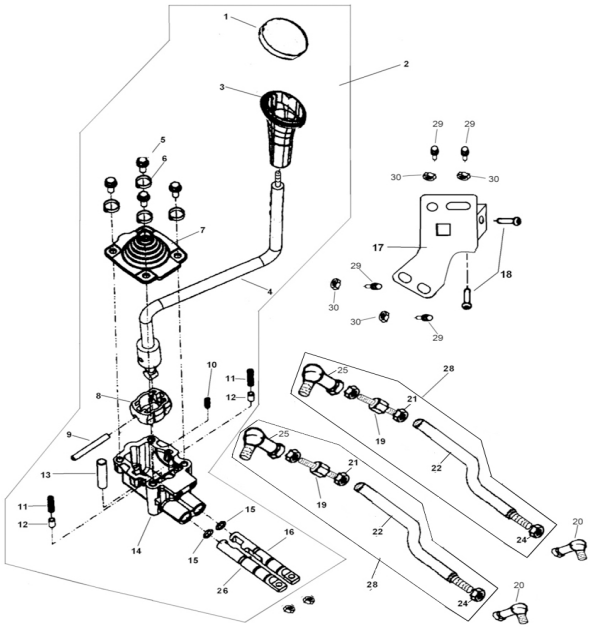


| REF. No. | PART NO. | DESCRIPTION | Q'T | I/C | PIN | 图号 | 名称 |
|----------|----------|---|-----|-----|-----|-----------------|--------------------|
| 1 | 10076 | BOLT M12X20 | 2 | | | GB/T70.1-M12X20 | 内六角螺栓 |
| 2 | 10054 | WASHER 12 | 2 | | | GB/T93-12 | 弹垫 |
| 3 | 27292 | TRANSMISSION MOUNTING BRACKET RIGHT | 1 | | | LH400ATV.20.2 | 右摇臂连接板 |
| 4 | 21504 | TRANSMISSION MOUNTING BRACKET LEFT | 1 | | | LH260ATV.20.4 | 左摇臂连接板 |
| 5 | 20909 | BOLT M10X1.25X62.5 | 3 | | | LH260ATV.4-2 | 螺栓-M10X1.25X62.5 |
| 6 | 10079 | NUT M8 | 4 | | | GB/T6187 | 螺母-M8 |
| 7 | 10028 | BOLT M10X25 | 2 | | | GB/T5783 | 螺栓-M10X25 |
| 8 | 21508 | TRANSMISSION MOUNTING BRACKET BOTTOM | 1 | | | LH260ATV.1-7 | 变速箱左下安装板 |
| 9 | 10059 | BOLT M8X25 | 4 | | | GB/T5787 | 螺栓-M8X25 |
| 10 | 10027 | WASHER 10 | 2 | | | GB/T93 | 弹垫-10 |
| 11 | 10019 | WASHER | 2 | | | GB/T97.1 | 垫圈-10 |
| 12 | 10084 | BOLTM10X1.25X70 | 2 | | | GB/T5785 | 螺栓-M10X1.25X70 |
| 13 | 10015 | NUT M10 | 4 | | | GB/T6187 | 螺母-M10X1.25 |
| 14 | 21514 | TRANSMISSION MOUNTING BRACKET REAR | 1 | | | LH260ATV.1-8 | 变速箱上安装板 |
| 15 | 21515sc | TRANSMISSION ASSY(4WD、FOR SPEED SENSOR、FOR HIGH-POWER CLUTCH) | 1 | | | LH260ATV.17s(c) | 变速箱(四驱、配传感器、配大离合器) |



↔ Interchangeable; ≠ Noninterchangeable; ← New for old → old for new

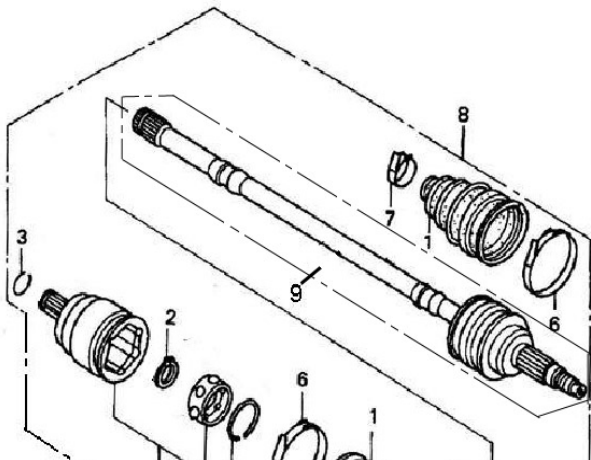
13 SHIFT ROD



| REF. No. | PART NO. | DESCRIPTION | Q'T Y | I/C PIN | 图号 | 名称 |
|----------|----------|------------------------------|-------|---------|----------------------|------------|
| 1 | 21601a | LABLE | 1 | | LH260ATV.18.1 a .3-1 | 贴花 |
| 2 | 21729B | SHIFTER ASSY MOUNTING | 1 | | LH260ATV.18.1a | 换挡器 |
| 3 | 21603A | KNOB | 1 | | LH260ATV.18.1 a .3-2 | 球头 |
| 4 | 21604a | SHIFT LEVER | 1 | | LH260ATV.18.1a.1 | 转动杆组件 |
| 5 | 10086 | BOLT M6X12 | 4 | | GB5783 | 螺栓-M6X12 |
| 6 | 10006 | WASHER 6 | 4 | | GB97.1-6 | 弹垫6 |
| 7 | 21607A | BOOT | 1 | | LH260ATV.18.1a.2 | 橡胶上盖 |
| 8 | 21608A | PLASTIC SPHERE | 1 | | LH260ATV.18.1a-2 | 固定球 |
| 9 | 21609A | GROOVE PIN | 1 | | LH260ATV.18.1a-3 | 销 |
| 10 | 21610A | CENTERING SPRING | 1 | | LH260ATV.18.1a-8 | 小弹簧 |
| 11 | 21611A | DETENT SPRING | 2 | | LH260ATV.18.1a-7 | 大弹簧 |
| 12 | 21612A | DETENT BULLET | 2 | | LH260ATV.18.1a-9 | 定位销 |
| 13 | 21613A | DOWEL PIN | 1 | | LH260ATV.18.1a-6 | 限位销 |
| 14 | 21614A | SHIFFER HOUSING | 1 | | LH260ATV.18.1a-1 | 换挡器壳体 |
| 15 | 21615 | O-RING | 2 | | GB/T3452.1 | O型圈9.5X1.8 |
| 16 | 21616A | SELECTOR SLIDES HIGH/REVERSE | 2 | | LH260ATV.18.1a-5 | 高速、倒档滑杆 |
| 17 | 21617a | SHIFTER MOUNTING BRACKET | 1 | | LH260ATV-B.11.4 | 换挡器安装板组件 |
| 18 | 10086 | BOLT M6X12 | 4 | | GB/T16674.1-M6X12 | 螺栓M6X12 |
| 19 | 21619 | SHIFT ROD COUPLER | 2 | | LH260ATV.18.3-1 | 倒档拉杆A |
| 20 | 21620 | SHIFT ROD END CW | 2 | | LH260ATV.18.2.1 | 换挡接头2 |
| 21 | 10090 | JAM NUT M6 CW | 4 | | GB/T6170-M6 | 螺母M6 |
| 22 | 25254 | SHIFT ROD HIGH/REVERSE | 2 | | LH260ATV-B.11-2 | 高速、倒档拉杆 |
| 24 | 21624 | JAM NUT CCW | 2 | | LH260ATV.18.2-2 | 锁紧螺母 |
| 25 | 21625 | SHIFT ROD END CCW | 2 | | LH260ATV.18.2.2 | 换挡接头1 |
| 26 | 21626 | SELECTOR SLIDES LOW | 1 | | LH260ATV.18.1-14 | 低速滑杆 |
| 28 | 25256 | SHIFTER MOUNTING ROD | 2 | | LH260ATV-B.18.2 | 换挡拉杆组件 |
| 29 | 11108 | BOLT M6X40 | 4 | | GB/T5782-M6X40 | 螺栓-M6X40 |
| 30 | 10104 | NUT M6 | 4 | | GB/T6184-M6 | 螺母M6 |

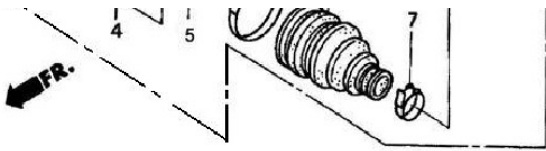
↔ Interchangeable; ≠ Noninterchangeable; ← New for old → old for new

14 FRONT DRIVE AXLE (FOR 4WD)



| REF. No. | PART NO. | DESCRIPTION | Q'T Y | I/C PIN | 图号 | 名称 |
|----------|----------|--|-------|---------|-----------------|--------|
| 1 | 24403 | OUTER BOARD BOOT | 4 | | LH260ATV.6.5-5 | 防尘套 |
| 2 | 24407 | CIRCLIP 20 | 2 | | GB/T894.1 | 卡簧 20 |
| 3 | 24405 | ATOPPER RING | 2 | | LH260ATV.6.5-16 | 卡圈C |
| 4 | 25244 | JOUNT,INBOARD(CONTAIN INBOARD AXLE STEEL BALL BRACKET STEEL BALL AND GEAR WHEEL) | 2 | | LH260ATV.6.5-13 | 内球笼轴 |
| | 25535 | | 2 | | LH260ATV.6.5-12 | 内球笼星型架 |
| | 25534 | | 2 | | LH260ATV.6.5-11 | 内球笼保持架 |
| | 25533 | | 6 | | LH260ATV.6.5-10 | 内球笼钢球 |
| 5 | 24409 | STOPPER RING | 2 | | LH260ATV.6.5-9 | 卡圈A |
| 6 | 24404 | BOOT BAND B | 4 | | LH260ATV.6.5-4 | 大卡箍 |
| 7 | 24402 | BOOT BAND A | 4 | | LH260ATV.6.5-6 | 小卡箍 |
| 8 | 25274 | FRONT DRIVE AXLE | 2 | | LH260ATV-B.19 | 前球笼总成 |
| 9 | / | | 2 | | LH260ATV-B.19-1 | 外球笼轴 |
| | / | | 2 | | LH260ATV.6.5-2 | 外球笼保持架 |
| | / | DRIVE AXLE/OUTER CV JOINT | 12 | | LH260ATV.6.5-3 | 外球笼钢球 |

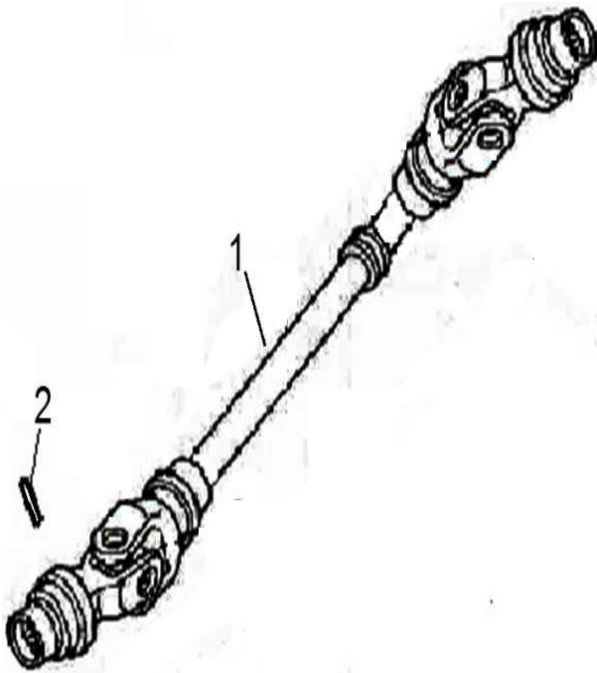
装配成一体



| | | | | |
|---|----------|---|-----------------|---------|
| / | ASSEMBLY | 2 | LH300CUV.19-2 | 传动轴 |
| / | | 2 | LH260ATV.6.5-16 | 卡圈C φ20 |
| / | | 2 | LH260ATV.6.5-15 | 外球笼星型轮 |

↔ Interchangeable; ≠ Noninterchangeable; ← New for old → old for new

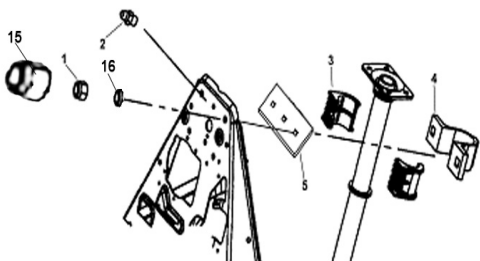
15 FRONT KNUCKLE ASSY



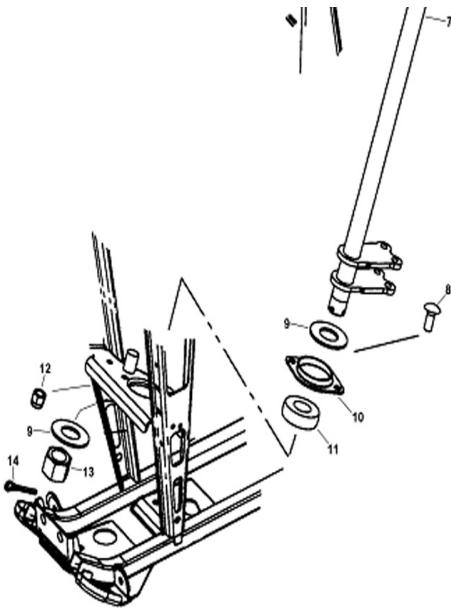
| REF. No. | PART NO. | DESCRIPTION | Q'T Y | I/C | PIN | 图号 | 名称 |
|----------|----------|---------------|-------|-----|-----|---------------|--------|
| 1 | 24437 | FRONT KNUCKLE | 1 | | | LH260ATV.13.3 | 前轴方向节A |
| 2 | 20716 | KERBSTIFTE | 1 | | | LH260ATV.13-1 | 弹性销 |

↔ Interchangeable; ≠ Noninterchangeable; ← New for old → old for new

16 STEERING COLUMN



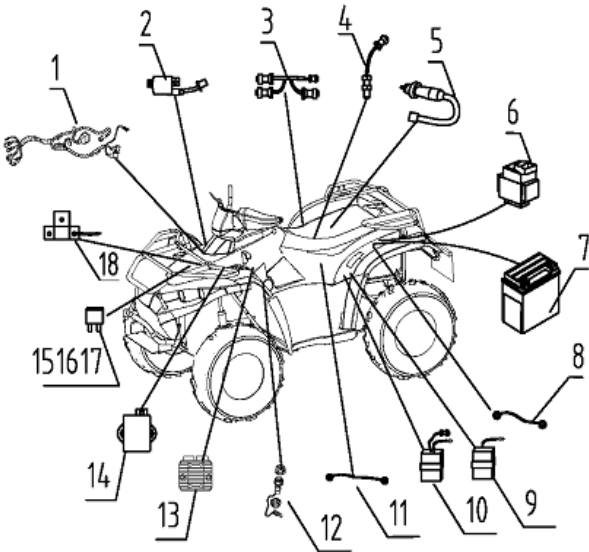
| REF. No. | PART NO. | DESCRIPTION | Q'T Y | I/C | PIN | 图号 | 名称 |
|----------|----------|---------------------------------|-------|-----|-----|-----------------|-----------|
| 1 | 10079 | NUT M8 | 2 | | | GB/T6187-M8 | 螺母 |
| 2 | 10026 | GREASE FITTING | 1 | | | LH260ATV.1.7.3 | 油杯 |
| 3 | 21903 | BUSHING | 2 | | | LH260ATV.1.7-2 | 安装套 |
| 4 | 21904 | STEERING CLAMP REAR | 1 | | | LH260ATV.1.7-1 | 方向柱上安装固定座 |
| 5 | 21905 | STEERING CLAMP FRONT | 1 | | | LH260ATV.1.7-6 | 方向柱上缓冲垫 |
| 6 | 21906 | BOLT | 2 | | | LH260ATV.1.7-3 | 异形螺栓 |
| 7 | 21907f | STEERING COLUMN (608 MM LENGTH) | 1 | | | LH260ATV.1.7.1a | 方向柱焊接组件 |
| 8 | 21906 | BOLT | 2 | | | LH260ATV.1.7-3 | 异形螺栓 |



| | | | | | |
|----|-------|------------------------------|---|----------------|-----------|
| 9 | 21909 | WASHER | 2 | LH260ATV.1.7-5 | 垫片 |
| 10 | 21910 | BEARING RETAINER | 1 | LH260ATV.1.7-4 | 轴承盖帽 |
| 11 | 21911 | BEARING | 1 | LH260ATV.1.20 | 轴承CS205LU |
| 12 | 10079 | NUT M8 | 2 | GB/T6187-M8 | 螺母 |
| 13 | 10100 | STEERING COLUMN RETAINER NUT | 1 | GB/T9459-M24X2 | 开槽螺母 |
| 14 | 10101 | COTTER PIN | 1 | GB/T91-5X40 | 开口销 |
| 15 | 27256 | PROTECT COVER | 2 | LH260ATV.1.7-7 | 保护罩 |
| 16 | 10106 | SPRING WASHER | 2 | GB/T93 | 弹垫 8 |

↔ Interchangeable; ≠ Noninterchangeable; ← New for old → old for new

17 ELECTRICAL SYSTEM



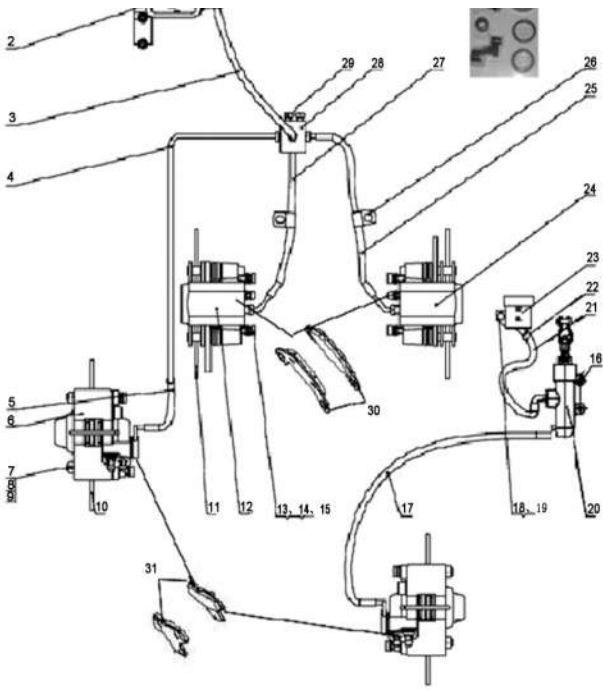
| REF. No. | PART NO. | DESCRIPTION | Q'T Y | I/C PIN | 图号 | 名称 |
|----------|----------|---|-------|---------|------------------|----------------|
| 1 | 27768 | WIRING HARNESS | 1 | | 4AS-82500-01 | 电缆总成 (美标使用) |
| 2 | 22012 | IGNITION COIL AND WIRE | 1 | | 170M.6.2 | 高压包 |
| 3 | 25309 | GEAR SENSOR HARNESS (FOR 05 AND BEFORE MODEL) | 1 | | 4AL-83701-00 | 齿轮传感器过波线 |
| 4 | 25310 | GEAR SENSOR(FOR 05 AND BEFORE MODEL) | 1 | | 4AL-83700-01 | 齿轮传感器 |
| 5 | 70405a | BRAKE SWITCH (USED FOR WATERPROOF PLUG IN UNIT) | 1 | | LH520ATV.23.14f | 刹车开关(防水插件专用) |
| 6 | 22004 | STARTER RELAY | 1 | | 3AB-81900-00 | 起动机继电器 |
| 7 | 70407a | BATTERY | 1 | | 4AB-82110-00 | 电瓶18Ah |
| 8 | 32003 | BATTERY CABLE POSITIVE | 1 | | LH260ATV.19.2a-1 | 电瓶火线 |
| 9 | 32038 | REVERSE GEAR WARNING (FOR 4WD) | 1 | | 4AL-82600-00 | 倒挡蜂鸣器 |
| 10 | 22002a | REVERSE SPEED LIMITER (FOR 50TH MODEL) | 1 | | 4AL-82601-00 | 限速器(50TH纪念款专用) |
| 11 | 32006 | BATTERY CABLE GROUND | 1 | | LH260ATV.19.2a-2 | 电瓶地线 |
| 12 | 70400 | ACCESSORY SOCKET ASSY | 1 | | LH520ATV.23.12 | 充电器组合 |
| 13 | 27747 | REGULATOR RECTIFIER | 1 | | 3AB-81901-00 | 整流稳压器 |
| 14 | 22001A | CDI | 1 | | 1BB-85640-02 | CDI |
| 15 | 22019 | 7.5 AMP FUSE | 1 | | B31207A | 7.5安培保险丝 |
| 16 | 22020 | 15 AMP FUSE | 2 | | B31215A | 15安培保险丝 |
| 17 | 22021 | 3 AMP FUSE | 1 | | B31203 | 3安培保险丝 |
| 18 | 32044 | RESISTANCE | 1 | | 3AW-82130-00 | 电阻 |

↔ Interchangeable; ≠ Noninterchangeable; ← New for old → old for new

18 BRAKING SYSTEM (FOR USA)

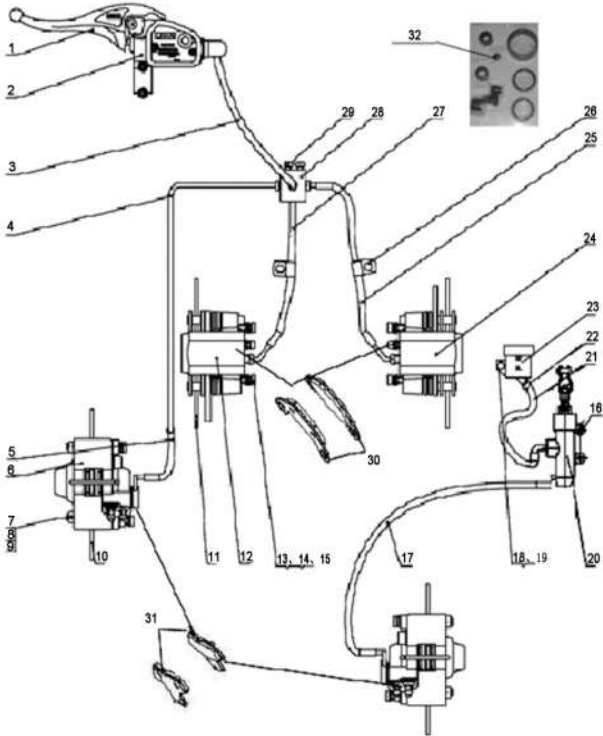


| REF. No. | PART NO. | DESCRIPTION | Q'T Y | I/C PIN | 图号 | 名称 |
|----------|----------|-----------------|-------|---------|----------------|------|
| 1 | 2211120 | BRAKE LEVER | 1 | | LH260ATV.5.1-3 | 刹车把手 |
| 2 | 22101 | MASTER CYLINDER | 1 | | LH260ATV.5.1.2 | 主制动泵 |



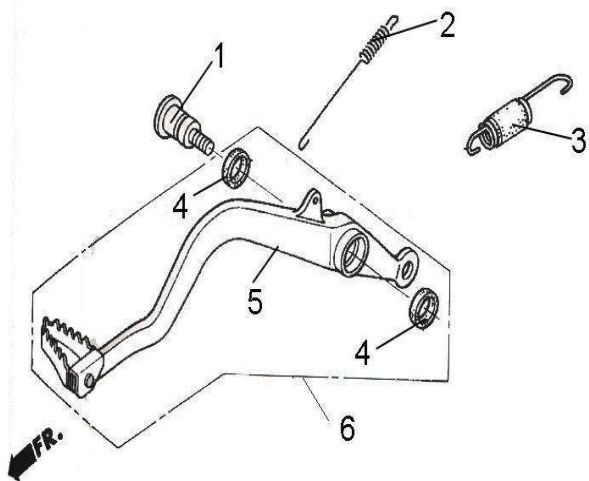
| | | | | | |
|----|--------|---------------------------|---|----------------------|---------|
| 3 | 27683 | HAND BRAKE HOSE | 1 | LH260ATV.5.1.3 | 碟刹油管 |
| 4 | 22103 | REAR BRAKE HOSE | 1 | LH260ATV.5.1.4 | 后刹油管 |
| 5 | 25130 | REAR HAND BRAKE HOSE | 1 | LH260ATV-B.25-1 | 后刹软管 |
| 6 | 22250 | BRAKE CALIPER LEFT REAR | 2 | LH260ATV.5.1C.2 | 后碟刹下泵 |
| 7 | 10102 | BOLT M10X1.25X83 | 4 | GB/T5785-M10X1.25X83 | 螺栓 |
| 8 | 10019 | WASHER 10 | 4 | GB/T97.1-10 | 垫圈 |
| 9 | 10015 | NUT M10X1.25 | 4 | GB/T6187-M10X1.25 | 螺母 |
| 10 | 32115 | REAR DISC BRAKE | 2 | LH260ATV.5.1-2 | 后碟刹盘 |
| 11 | 22226 | FRONT BRAKE DISC | 2 | LH260ATV.5.1-1 | 前碟刹盘 |
| 12 | 22114 | BRAKE CALIPER LEFT FRONT | 1 | LH260ATV.5.1.6 | 前刹下泵2 |
| 13 | 10105 | BOLT M8X25 | 4 | GB/T5782-M8X25 | 螺栓 |
| 14 | 10106 | WASHER 8 | 4 | GB/T93-8 | 弹垫 |
| 15 | 10068 | WASHER 8 | 4 | GB/T97.1-8 | 垫圈 |
| 16 | 10110 | BOLT M6X20 | 2 | GB/T16674.1-M6X20 | 螺栓 |
| 17 | 25131 | FOOT BRAKE HOSE | 1 | LH260ATV-B.25-2 | 脚踏油管1 |
| 18 | 10004 | NUTM5 | 1 | GB/T6187-M5 | 螺母 |
| 19 | 10108 | BOLT M5X12 | 1 | GB/T16674.1-M5X12 | 螺栓 |
| 20 | 25132 | DONKEY PUMP | 1 | LH260ATV-B.24.1 | 脚踏泵 |
| 21 | 25262 | RESERVOIR HOSE | 1 | LH260ATV-B.24.1-7 | 油杯软管 |
| 22 | 22124 | CLAMP | 2 | LH260ATV.5.1-5 | 卡箍 |
| 23 | 32226A | RESERVOIR | 1 | LH260ATV.5.1b.3 | 油杯 |
| 24 | 22227 | BRAKE CALIPER RIGHT FRONT | 1 | LH260ATV.5.1.10 | 前刹下泵 |
| 25 | 22228 | FRONT BRAKE HOSE 1 | 1 | LH260ATV.5.1.11 | 前刹油管1 |
| 26 | 21811 | CLAMP | 2 | LH260ATV.5.1.1 | 碟刹油管固定卡 |
| 27 | 22229 | FRONT BRAKE HOSE 2 | 1 | LH260ATV.5.1.12 | 前刹油管2 |
| 28 | 22230 | BRAKE LINE COUPLER | 1 | LH260ATV.5.1-6 | 四通 |
| 29 | 10111 | SCREW M5X15 | 2 | GB/T818-M5X15 | 十字槽盘头螺钉 |

18 BRAKING SYSTEM (FOR USA)



| REF. No. | PART NO. | DESCRIPTION | QTY | I/C | PIN | 图号 | 名称 |
|----------|----------|--|-----|-----|-------------------|----|------------|
| 30 | 22245 | INSIDE AND OUTSIDE PAD(FOR FRONT BRAKE CALIPER) | 4 | | T000402 | | 前碟刹下泵内、外蹄片 |
| 31 | 22111 | INSIDE AND OUTSIDE PAD(FOR REAR BRAKE CALIPER) | 4 | | T000403 | | 后刹下泵内、外蹄片 |
| 32 | 25135 | ZJ USA Service Kit (FOR USA) | 1 | | LH260ATV-B.GJ.1.1 | | 美标碟刹专用维修包 |

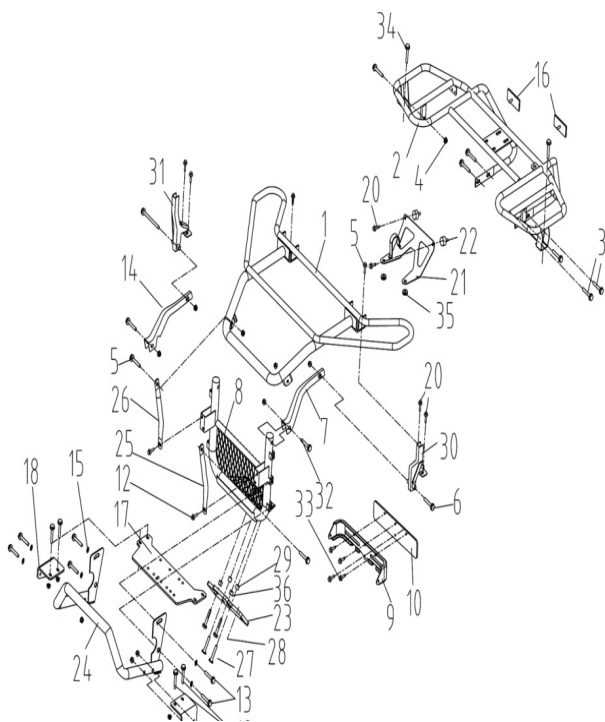
19 PEDAL, BRAKE



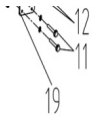
| REF. No. | PART NO. | DESCRIPTION | Q'T Y | I/C PIN | 图号 | 名称 |
|----------|----------|---------------------|-------|---------|---------------------|--------------|
| 1 | 70542 | SHAFT, BRAKE PIVOT | 1 | | LH520ATV.24.9-2 | 台阶轴螺栓 |
| 2 | 32246 | SPRING, STOP SWITCH | 1 | | LH260ATV.19 (B) - 1 | 回位簧 |
| 3 | 25539 | SPRING ASSY | 1 | | LH260ATV.15-3 | 开关拉簧 |
| 4 | 70540 | DUST SEAL | 2 | | LH520ATV.24.9.2 | 油封 15X20X2.5 |
| 5 | 25146 | PEDAL BRAKE | 1 | | LH260ATV-B.24.2.1 | 脚踏踏杆焊接组件 |
| 6 | 25147 | PEDAL BRAKE ASSY | 1 | | LH260ATV-B.24.2 | 脚踏踏杆组件 |

↔ Interchangeable; ≠ Noninterchangeable; ← New for old → old for new

20 BUMPER & RACK



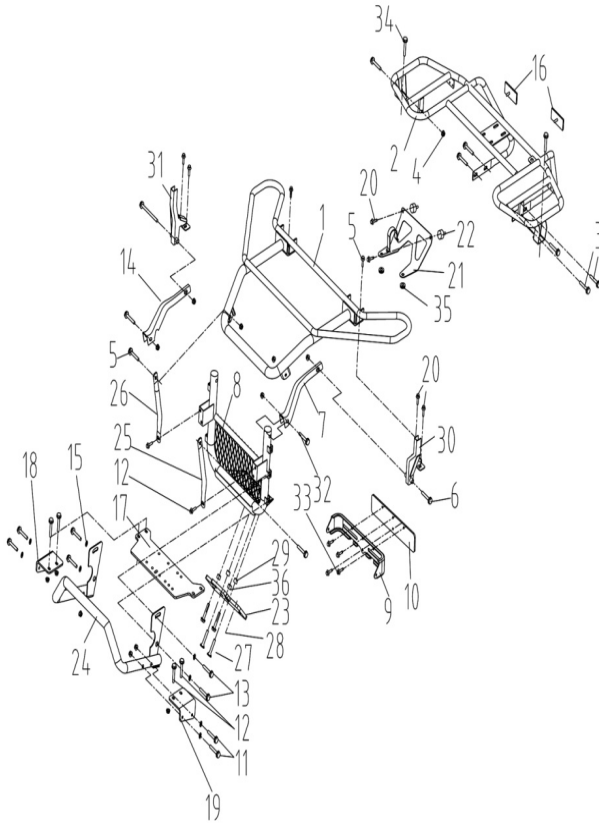
| REF. No. | PART NO. | DESCRIPTION | Q'T Y | I/C PIN | 图号 | 名称 |
|----------|----------|---------------------------|-------|---------|---------------|------------|
| 1 | 27439 | FRONT RACK | 1 | | 4AD-24810-10 | 前货架 |
| 2 | 35527 | REAR RACK | 1 | | 4AV-24820-00 | 后货架 |
| 3 | 11101 | BOLTM8X45 | 4 | | B11A30845R | 螺栓 M8X45 |
| 4 | 10882 | NUT M8 | 4 | | B51F30800R | 螺母 M8 |
| 5 | 11102 | BOLT M8X25 | 4 | | B11B30825R | 螺栓 M8X25 |
| 6 | 11103 | BOLT M8X85 | 2 | | B11A30885R | 螺栓M8X85 |
| 7 | 27440 | TRESTLE 1 LEFT | 1 | | 4AD-21240-10 | 保险杠左安装支架 |
| 8 | 25311 | BUMPER BRACKET | 1 | | 4AD-21270-20 | 前保险杠安装支架 |
| 9 | 20413 | DOWN BRACKET RADIATOR | 1 | | LH260ATV.1-1 | 水箱下安装支架 |
| 10 | 20414 | SPACER RUBBER | 1 | | LH260ATV.1-10 | 水箱下安装支架缓冲垫 |
| 11 | 10780 | BOLT M8X55 | 6 | | B11A30855R | 螺栓 M8X55 |
| 12 | 10783 | BOLT M8X20 | 4 | | B11A30820R | 螺栓 M8X20 |
| 13 | 10059 | BOLT M8X25 | 6 | | B11A30825R | 螺栓 M8X25 |
| 14 | 27442 | TRESTLE 1 RIGHT | 1 | | 4AD-21250-10 | 保险杠右安装支架 |
| 15 | 26009 | WASHER 8 | 8 | | B612308000 | 垫片 8 |
| 16 | 70779 | FRONT REFLECTER (RED) | 2 | | T001102 | 反射器 (红色) |
| 17 | 35848 | BRACKET, PULLING | 1 | | 4AB-28520-00 | 牵引器安装板 |
| 18 | 27387 | HOLDER, R. PULLIN BRACKET | 1 | | 4AD-28501-00 | 牵引器右安装支架 |
| 19 | 27386 | HOLDER, L. PULLIN BRACKET | 1 | | 4AD-28500-00 | 牵引器左安装支架 |
| 20 | 10140B | BOLT M6X12 | 6 | | B11A30612R | 螺栓M6X12 |
| 21 | 20412 | UP BRACKET RADIATOR | 1 | | LH260ATV.1-2 | 水箱上安装板 |
| 22 | 20316 | RUBBER PAD | 2 | | LH260ATV.1.15 | 弹性安装螺母 |



| | | | | | |
|----|-------|----------------------------|---|--------------|--------------|
| 23 | 36458 | SNOW SHOVEL MOUNTING PLATE | 1 | 4BE-21502-00 | 美国雪铲连接板 |
| 24 | 27443 | FRONT BUMPER | 1 | 4AD-28510-10 | 前保险杠 |
| 25 | 27444 | FRONT SUPPORT TUBE,L | 1 | 4AD-24820-10 | 前左支撑管 |
| 26 | 27445 | FRONT SUPPORT TUBE,R | 1 | 4AD-24830-10 | 前右支撑管 |
| 27 | 11074 | BOLT M8X35 | 2 | B2AC30835R | 内六角沉头螺栓M8X35 |

↔ Interchangeable; ≠ Noninterchangeable; ← New for old → old for new

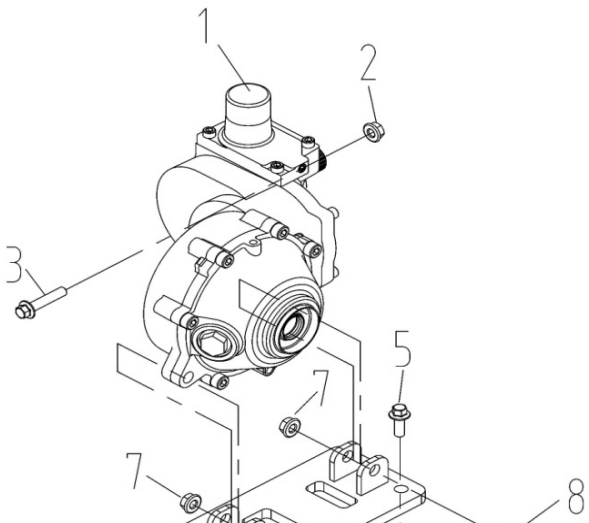
20 BUMPER & RACK



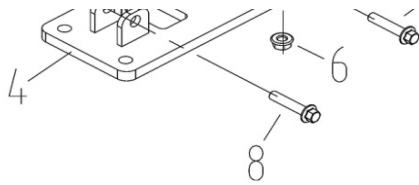
| REF. No. | PART NO. | DESCRIPTION | Q'T Y | I/C PIN | 图号 | 名称 |
|----------|----------|----------------------------|-------|---------|------------------|--------------------------|
| 28 | 11104 | BOLT M10X1.25X50 | 2 | | B12C31050A | 螺栓M10X1.25X50 9.8级 |
| 29 | 35849 | SHOVEL MOUNTING SPACER A | 2 | | 4AV-21271-00 | 雪铲安装隔套 |
| 30 | 27360 | TRESTLE L | 1 | | LH400ATV-2B.21.2 | 前货架左安装支架 |
| 31 | 27358 | TRESTLE R | 1 | | LH400ATV-2B.21.1 | 前货架右安装支架 |
| 32 | 10403 | BOLT M8X50 | 2 | | B11A30850R | 螺栓M8X50 |
| 33 | 10187 | BOLT M6X25 | 8 | | B11A30625R | 螺钉M6X25 |
| 34 | 11105 | BOLT M6X35 | 2 | | B11A30635R | 螺钉M6X35 |
| 35 | 22917 | RADIATOR SIDE SUPT GROMMET | 2 | | 1BB-12463-00 | 减震器套1 |
| 36 | 25312 | SHOVEL MOUNTING SPACER B | 2 | | 4AD-21271-00 | 雪铲安装隔套(300,40 0ATV专用) |

↔ Interchangeable; ≠ Noninterchangeable; ← New for old → old for new

21 FRONT GEAR-BOX BRACKET

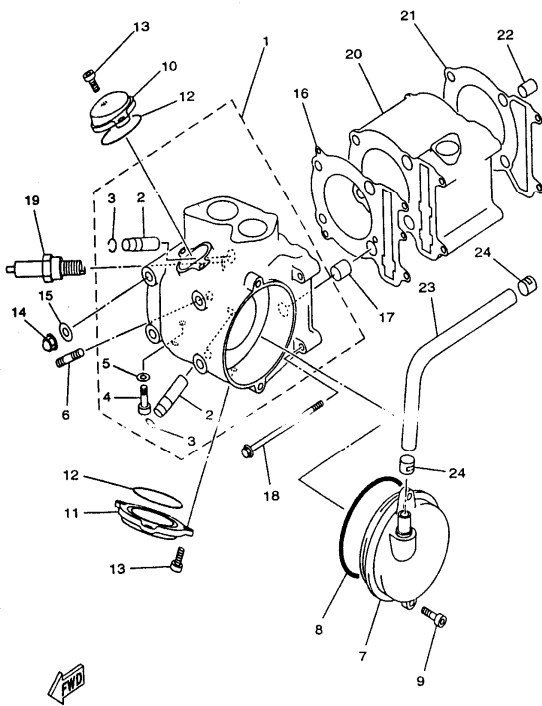


| REF. No. | PART NO. | DESCRIPTION | Q'T Y | I/C PIN | 图号 | 名称 |
|----------|----------|-------------------------------|-------|---------|----------------------|----------------|
| 1 | 24445 | FRONT GEAR-BOX ASSY. | 1 | | LHTY.1 | 前桥总成 |
| 2 | 10079 | NUT M8 | 1 | | GB/T6187 | 螺母M8 |
| 3 | 29506 | BOLT M8x55 | 1 | | GB/T16674.1-M8X55 | 螺栓 M8X55 |
| 4 | 22325f | BRACKET, FRONT GEAR-BOX ASSY. | 1 | | LH260ATV.1.16 | 四轮驱动前桥安装板 |
| 5 | 10015 | NUT M10x1.25 | 4 | | GB/T6187 | 螺母M10x1.25 |
| 6 | 10588 | BOLT M10x1.25x20 | 4 | | GB/T5783-M10X1.25X20 | 螺栓 M10X1.25X20 |
| 7 | 11109 | NUT M10x1.25 | 2 | | GB/T6087.1 | 螺母M10x1.25 |
| 8 | 70073 | BOLT M10x1.25x50 | 2 | | LH260ATV.1-20 | 螺栓M10X1.25X50 |



↔ Interchangeable; ≠ Noninterchangeable; ← New for old → old for new

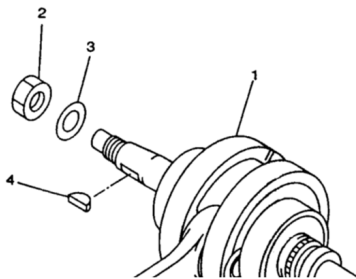
22 CYLINDER



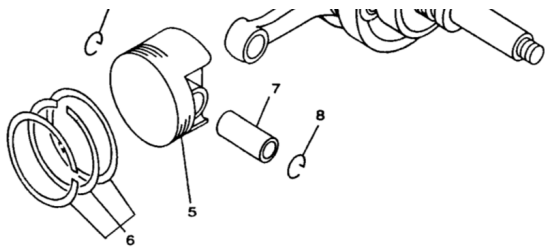
| REF. No. | PART NO. | DESCRIPTION | Q'T Y | I/C PIN | 图号 | 名称 |
|----------|-----------|------------------------------------|-------|---------|--------------|---------------|
| 1 | 22401B-xa | CYLINDER HEAD ASSY (FOR ATV300) | 1 | | 173M.1.1 | 汽缸头组件(ATV300) |
| 2 | 22402 | GUIDE INTAKE VALVE | 2 | | 170M.1.1-2 | 气门导管 |
| 3 | 10112 | CIRCLIP 12 | 2 | | 170M.1.1-6 | 钢丝挡圈 12 |
| 4 | 10086 | BOLT M6X12 | 1 | | GB5783-M6X12 | 螺栓 |
| 5 | 22810 | GASKET 6 | 1 | | 170M.1-9 | 垫圈6 |
| 6 | 10014 | BOLT STUD M8X25 | 2 | | GB898-M8X25 | 双头螺栓 |
| 7 | 25604 | BREATHER ASSY | 1 | | 170M.1.2 | 呼吸盘组件 |
| 8 | 22408 | O-RING 95X3.3 | 1 | | 170M.1.2-5 | O型圈95X3.3 |
| 9 | 10008 | BOLT SOCKET HEAD M6X20 | 2 | | GB70-M6X20 | 内六角螺栓 |
| 10 | 22410 | VALVE COVER INTAKE SIDE | 1 | | 170M.1-1 | 进气门盖 |
| 11 | 22411 | VALVE COVER EXHAUST SIDE | 1 | | 170M.1-3 | 排气门盖 |
| 12 | 22412 | O-RING 57.5X2.3 | 2 | | 170M.1-2 | O型圈57.5X2.3 |
| 13 | 10008 | BOLT SOCKET HEAD M6X20 | 5 | | GB70-M6X20 | 内六角螺栓M6X20 |
| 14 | 22414 | NUT CROWN M8 | 4 | | 170M.4-1 | 盖型螺母M8 |
| 15 | 22415 | WASHER PLATE 8 | 4 | | 170M.4-2 | 垫圈8 |
| 16 | 22416a | GASKET CYLINDER HEAD2 (FOR ATV300) | 1 | | 173M.1.3 | 缸盖垫(ATV300) |
| 17 | 22417 | PIN DOWEL 14X16 | 2 | | 170M.1-6 | 缸盖销14X16 |
| 18 | 22418 | BOLT FLANGE M6X120 | 2 | | 170M.4-4 | 螺栓M6X120 |
| 19 | 22419 | PLUG SPARK(NGK DR8EA) | 1 | | 170M.1.5 | 火花塞DR8EA |
| 20 | 22420a | CYLINDER (FOR ATV300) | 1 | | 173M.1-5 | 缸体(ATV300) |
| 21 | 22421 | GASKET CYLINDER | 1 | | 170M.1-4 | 缸体垫 |
| 22 | 22422 | PIN DOWEL 10X14 | 2 | | 1E52FM010011 | 缸体销10X14 |
| 23 | 22423 | PIPE BREATHER1 | 1 | | 170M.1.2-4 | 呼吸管 |
| 24 | 43514 | CLIP 12MM | 2 | | 170M.20-4 | 卡圈13 |

↔ Interchangeable; ≠ Noninterchangeable; ← New for old → old for new

23 CRANKSHAFT COMP

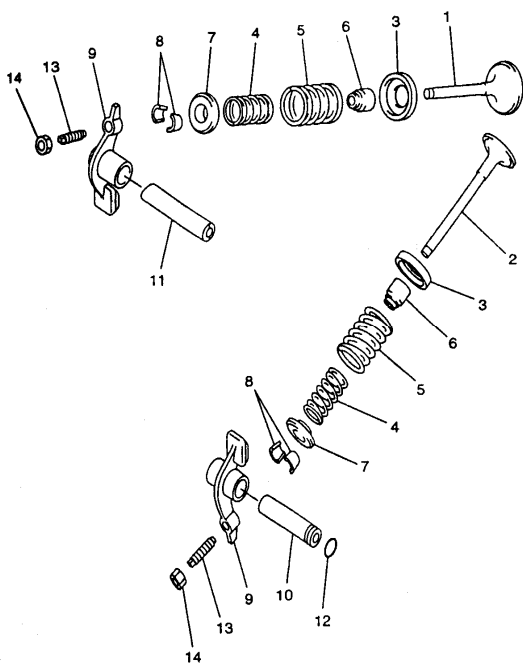


| REF. No. | PART NO. | DESCRIPTION | Q'T Y | I/C PIN | 图号 | 名称 |
|----------|----------|------------------------------|-------|---------|----------------------------|-------------|
| 1 | 22501 | CRANKSHAFT ASSY | 1 | | 170M-A.3.2 | 曲轴连杆组件 |
| 2 | 22502 | NUT M16X1 | 1 | | 170M.3-1 | 锁紧螺母M16X1 |
| 3 | 22503 | WASHER PLATE 16 | 1 | | 170M.3-2 | 垫圈16 |
| 4 | 22504 | KEY WOODRUFF | 1 | | 170M.3-3 | 半圆键 |
| 5 | 22505A | PISTON (FOR ATV300) | 1 | | 173M.3-6 | 活塞(ATV300) |
| 6 | 22506a | PISTON RING SET (FOR ATV300) | 1 | | 173M.3-7/173M.3-8/173M.3.2 | 活塞环(ATV300) |
| 7 | 22507 | PISTON PIN | 1 | | 170M.3-5 | 活塞销 |
| 8 | 22508 | CLIP | 2 | | 170M.3-4 | 活塞销挡圈 |



↔ Interchangeable; ≠ Noninterchangeable; ← New for old → old for new

24 VALVE



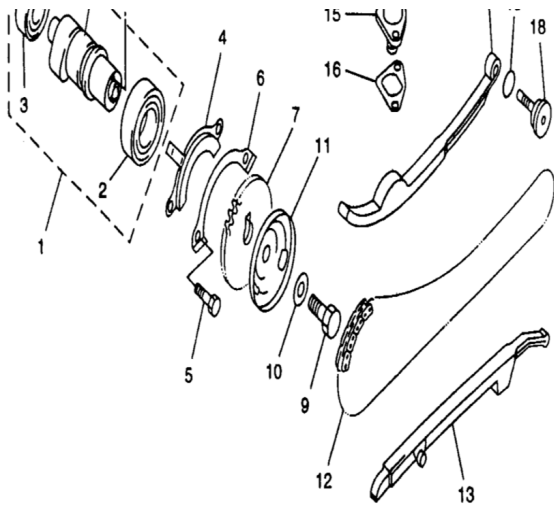
| REF. No. | PART NO. | DESCRIPTION | Q'T Y | I/C | PIN | 图号 | 名称 |
|----------|----------|-----------------------|-------|-----|-----|------------|---------------|
| 1 | 22601 | INTAKE VALVE | 1 | | | 170M.12-11 | 进气门 |
| 2 | 22602 | EXHAUST VALVE | 1 | | | 170M.12-3 | 排气门 |
| 3 | 22603 | SEAT SPRING VALVE | 2 | | | 170M.12-12 | 气门弹簧座 |
| 4 | 22604 | SPRING VALVE INNER | 2 | | | 170M.12-10 | 气门内弹簧 |
| 5 | 22605 | SPRING VALVE OUTER | 2 | | | 170M.12-9 | 气门外弹簧 |
| 6 | 22606 | SEAL VALVE STEM | 2 | | | 170M.12.1 | 气门杆油封组件 |
| 7 | 22607 | RETAINER SPRING VALVE | 2 | | | 170M.12-5 | 气门弹簧上座 |
| 8 | 22608 | COTTER VALVE | 4 | | | 170M.12-4 | 气门锁夹 |
| 9 | 22609 | ROCKER ARM VALVE | 2 | | | 170M.12.2 | 气门摇臂组件 |
| 10 | 22610 | EXHAUST ROCKER SHAFT | 1 | | | 170M.12-6 | 排气门摇臂轴 |
| 11 | 22611 | INTAKE ROCKER SHAFT | 1 | | | 170M.12-8 | 进气门摇臂轴 |
| 12 | 22612 | O-RING 9X2 | 1 | | | 170M.12-7 | O型圈9X2 |
| 13 | 22613 | ADJUSTING SCREW VALVE | 2 | | | 170M.12-2 | 气门调节螺钉 |
| 14 | 22614 | NUT M6X0.75 | 2 | | | 170M.12-1 | 气门调节螺母M6X0.75 |

↔ Interchangeable; ≠ Noninterchangeable; ← New for old → old for new

25 CAMSHAFT CHAIN



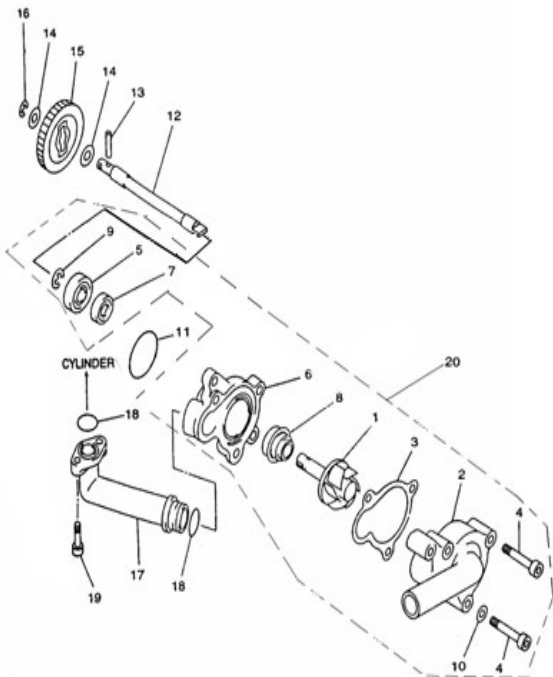
| REF. No. | PART NO. | DESCRIPTION | Q'T Y | I/C | PIN | 图号 | 名称 |
|----------|----------|-----------------|-------|-----|-----|----------|-------------|
| 1 | 22701 | CAMSHAFT ASSY1 | 1 | | | 170M.2 | 凸轮轴组件 |
| 2 | 10012 | BEARING | 1 | | | GB276 | 轴承-6005/P5 |
| 3 | 10013 | BEARING(B6202Z) | 1 | | | GB276 | 轴承-60202/P5 |
| 4 | 22704 | PLATE | 1 | | | 170M.2-3 | 压紧盘 |
| 5 | 10128 | BOLT M6X12 | 2 | | | GB5783 | 螺栓-M6X12 |



| | | | | | |
|----|-------|----------------------------|---|------------|----------------|
| 6 | 22706 | LOCK WASHER | 1 | 170M.2-2 | 压紧垫片 |
| 7 | 22707 | CAM CHAIN SPROCKET | 1 | 170M.2-4 | 正时传动链轮 |
| 8 | 10024 | DOWEL PIN B4X10 | 1 | GB119 | 凸轮轴定位销-B4X10 |
| 9 | 10025 | BOLT M10X1.25X25 | 1 | GB5786 | 螺钉-M10X1.25X25 |
| 10 | 22710 | WASHER PLATE 10 | 1 | 170M.2-6 | 垫片10 |
| 11 | 22711 | BREATHER PLATE2 | 1 | 170M.2-5 | 呼吸盘2 |
| 12 | 22712 | CHAIN | 1 | 170M.14.2 | 正时链条 |
| 13 | 22713 | GUIDE STOPPER1 | 1 | 170M.14.4 | 正时链条导杆 |
| 14 | 22714 | GUIDE STOPPER2 | 1 | 170M.14.3 | 正时链条拉力杆组件 |
| 15 | 22715 | CAM CHAIN TENSIONER ASSY | 1 | 170M.14.1 | 正时链条调整器组件 |
| 16 | 22716 | GASKET TENSIONER CASE | 1 | 170M.14-1 | 正时链条调整器垫片 |
| 17 | 10036 | SOCKET HEAD BOLT M6X14 | 2 | GB70-M6X14 | 内六角螺钉 |
| 18 | 22718 | CHAIN TENSIONER PIVOT BOLT | 1 | 170M.14-2 | 拉力杆螺钉 |
| 19 | 22719 | O-RING 14.5X1.8 | 1 | 170M.14-3 | O型圈14.5X1.8 |
| 20 | 22720 | CAMSHAFT | 1 | 170M.2-1 | 凸轮轴 |

←→ Interchangeable; ≠ Noninterchangeable; ← New for old → old for new

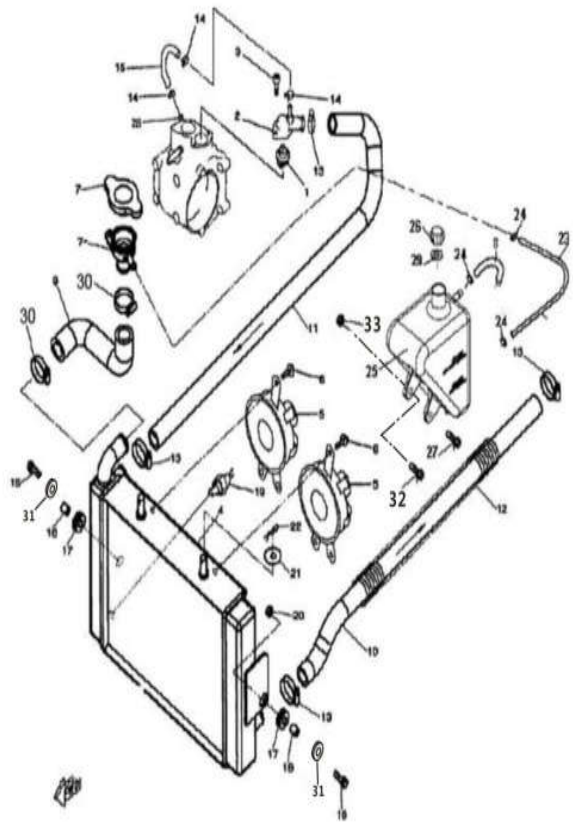
26 CAMSHAFT CHAIN



| REF. No. | PART NO. | DESCRIPTION | Q'T Y | I/C | PIN | 图号 | 名称 |
|----------|----------|-----------------------------|-------|-----|-----|--------------|---------------|
| 1 | 22801a | IMPELLER SHAFT ASSY (ADC12) | 1 | | | 170M.15.4a | 叶轮组件(铝合金材质) |
| 2 | 22802 | HOUSING COVER | 1 | | | 170M.15-2 | 泵盖 |
| 3 | 22803 | GASKET HOUSING COVER2 | 1 | | | 170M.15-5 | 泵壳密封垫 |
| 4 | 10041 | SOCKET HEAD BOLT M6X35 | 3 | | | GB70-M6X35 | 内六角螺栓 |
| 5 | 10043 | BEARING | 1 | | | GB276-E110 | 单列向心球轴承 |
| 6 | 22806 | WATER PUMP HOUSING | 1 | | | 170M.15-3 | 泵壳 |
| 7 | 22807 | OIL SEAL 10X21X5 | 1 | | | 170M.15.1 | 油封10X21X5 |
| 8 | 22808 | MECHANICAL SEAL | 1 | | | 170M.15.2 | 机械密封 |
| 9 | 10044 | CIRCLIP 9 | 1 | | | 170M.15-6 | 挡圈 |
| 10 | 22810 | GASKET 6 | 1 | | | 170M.1-9 | 垫圈6 |
| 11 | 10049 | O-RING 33.5X2.65 | 1 | | | GB3452.1 | O型圈-33.5X2.65 |
| 12 | 22812 | SHAFT | 1 | | | 170M.15-1 | 轴(水泵) |
| 13 | 10070 | DOWEL PIN C3X22 | 1 | | | GB119 | 销-C3X22 |
| 14 | 22814 | WASHER PLATE 8 | 2 | | | 170M.8-6 | 垫圈8 |
| 15 | 22815 | IMPELLER SHAFT GEAR | 1 | | | 170M.15-4 | 驱动齿轮 |
| 16 | 10072 | CIRCLIP 8 | 1 | | | GB894.1-8 | 挡圈 |
| 17 | 22817a | JOINT (ADC12) | 1 | | | 170M.15.3.1a | 连接管分组件(铝合金材质) |
| 18 | 10082 | O-RING 15.5X2.5 | 2 | | | GB3452.1 | O型圈-15.5X2.5 |
| 19 | 10083 | SOCKET HEAD BOLT M6X15 | 2 | | | GB70 | 内六角螺钉-M6X15 |
| 20 | 22820 | WATER PUMP ASSY | 1 | | | 170M.15 | 水泵组件 |

↔ Interchangeable; ≠ Noninterchangeable; ← New for old → old for new

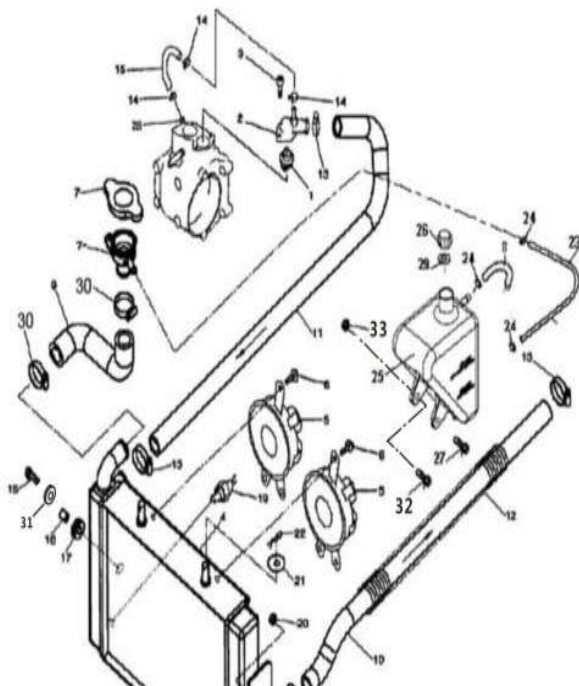
27 RADIATOR



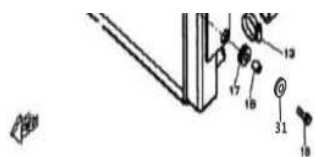
| REF. No. | PART NO. | DESCRIPTION | Q'T Y | I/C PIN | 图号 | 名称 |
|----------|----------|--|-------|---------|-------------------|----------------------|
| 1 | 22901 | THERMOSTAT | 1 | | 170M.11.7.2 | 温度自动调节阀组件 |
| 2 | 22902 | THERMOSTAT COVER | 1 | | 170M.11.7.1 | 壳体 |
| 3 | 10085 | SOCKET HEAD BOLT M6X25 | 2 | | GB70-M6X25 | 内六角螺钉 |
| 4 | 22904F | RADIATOR ASSY (THICKER) | 1 | | 170M-A.11.3b | 冷却器壳体 |
| 5 | 27451 | BLOWER ASSY (USED FOR WATERPROOF PLUG UNIT) | 2 | | 170M.11.2c | 风扇电机组件 (防水插件专用) |
| 6 | 10087 | FLANGE BOLT M6X9 | 6 | | GB16674.1 | 螺栓-M6X9 |
| 7 | 22907a | SAFETY VALVE | 1 | | 170M.11.1 | 安全压力阀 |
| 8 | 70341 | PIPE 2 | 1 | | LH520ATV.16.2-2 | 通气软管 |
| 9 | 22909f | RADIATOR FILLER HOSE | 1 | | 170M-A.11-2a | 水管 |
| 10 | 25193 | RETURN HOSE | 1 | | LH260ATV-B.16-1 | 出水管 |
| 11 | 22911 | FEED HOSE | 1 | | 170M-A.11-11 | 进水管 |
| 12 | 22912a | COMPRESSION SPRING | 2 | | 170M-A.11-10 | 弹簧 |
| 13 | 70140 | CLAMP 16/27 | 4 | | LH2V70.12.1 | 喉箍16/27 |
| 14 | 22914 | HOSE CLAMP2 | 2 | | 170M.1-7 | 卡圈10 |
| 15 | 22915 | HOSE1 | 1 | | 170M.11-13A | 化油器进水管 |
| 16 | 10182 | BOLT M6X30 | 2 | | GB/T16674.1 | 螺栓-M6X30 |
| 17 | 22917 | RADIATOR SIDE SUPT GROMMET | 2 | | 170M.11-5 | 减震器套1 |
| 18 | 22918 | COLLAR | 2 | | 170M.11-6 | 销套 |
| 19 | 22919D | THERMOSTAT SWITCH ASSYUSED FOR WATERPROOF PLUG UNIT) | 1 | | 1BD-12486-00 | 温控开关 (LH400T-B用防水插件) |
| 20 | 10004 | NUT M6 | 2 | | GB/6187-M6 | 螺母 |
| 21 | 10019 | WASHER PLATE 10 | 2 | | GB97 | 垫片-10 |
| 22 | 10094 | CLIP 2X20 | 2 | | GB91 | 销子-2X20 |
| 23 | 70342 | PIPE 1 | 1 | | LH520ATV.16.2-3 | 通气软管 |
| 24 | 22923 | CLIP | 2 | | 170M.11.6-4 | 卡箍 |
| 25 | 70340 | TANK RECOVERY | 1 | | LH520ATV.16.2-1 | 回收罐 |
| 26 | 70338 | CAP | 1 | | LH520ATV.16.2.1-1 | 盖 |
| 27 | 10183 | BOLT FLANGE M6X16 | 1 | | GB/T16674.1 | 螺栓-M6X16 |
| 28 | 23001 | JOIN | 1 | | 170M.1.1-5 | 水管接头 |

↔ Interchangeable; ≠ Noninterchangeable; ← New for old → old for new

27 RADIATOR

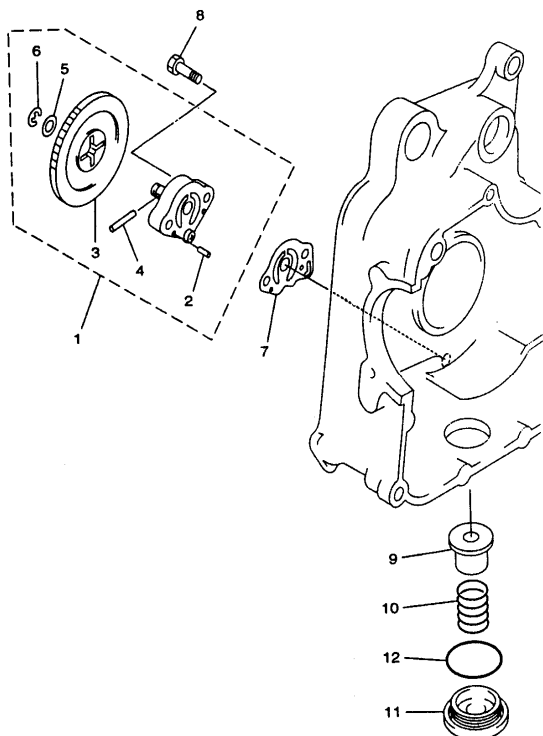


| REF. No. | PART NO. | DESCRIPTION | Q'T Y | I/C PIN | 图号 | 名称 |
|----------|----------|---------------|-------|---------|-------------------|----------|
| 29 | 70339 | WASHER | 1 | | LH520ATV.16.2.1-2 | 橡胶垫 |
| 30 | 70344 | CLAMP 20/32 | 2 | | LH520ATV.16.4 | 喉箍20/32 |
| 31 | 10006 | WASHER PLATE6 | 2 | | GB97 | 垫片6 |
| 32 | 10177 | BOLT M6X40 | 1 | | GB/T16674.1 | 螺栓-M6X40 |
| 33 | 10103 | NUT M6 | 1 | | GB/6177 | 螺母M6 |



↔ Interchangeable; ≠ Noninterchangeable; ← New for old → old for new

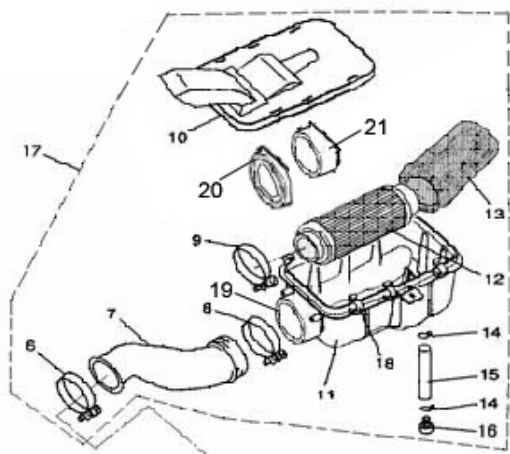
28 OIL PUMP



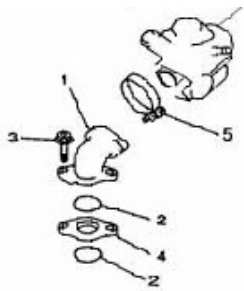
| REF. No. | PART NO. | DESCRIPTION | Q'T Y | I/C PIN | 图号 | 名称 |
|----------|----------|--------------------|-------|---------|-----------|-----------|
| 1 | 23101 | OIL PUMP ASSY | 1 | | 170M.8 | 机油泵部件 |
| 2 | 10096 | DOWEL PIN 3X12 | 2 | | GB309 | 滚针-3X12 |
| 3 | 23103 | GEAR PUMP DRIVEN | 1 | | 170M.8-8 | 传动齿轮 |
| 4 | 10097 | DOWEL PIN C3X22 | 1 | | GB309 | 滚针-3X22 |
| 5 | 22814 | WASHER PLATE | 1 | | 170M.8-6 | 垫圈8 |
| 6 | 10130 | CIRCLIP | 1 | | GB896 | 开口挡圈-6 |
| 7 | 23107 | GASKET | 1 | | 170M.8-1 | 纸垫 |
| 8 | 10946 | SCREW M6X25 | 2 | | GB/T 70.2 | 螺钉-M6X25 |
| 9 | 23109 | OIL STRAINER | 1 | | 170M.4.6 | 滤网组件 |
| 10 | 23110 | COMPRESSION SPRING | 1 | | 170M.4-15 | 弹簧 |
| 11 | 23111 | DRAIN PLUG | 1 | | 170M.4-14 | 放油盖 |
| 12 | 23112 | O-RING 36X3.5 | 1 | | 170M.4-13 | O型圈36X3.5 |

↔ Interchangeable; ≠ Noninterchangeable; ← New for old → old for new

29 AIR CLEANER



| REF. No. | PART NO. | DESCRIPTION | Q'T Y | I/C PIN | 图号 | 名称 |
|----------|----------|-------------------------------|-------|---------|-----------------|-------------|
| 1 | 23201b | JOINT CARBURETOR (FOR EUROPE) | 1 | | 170M-A.17.2b | 连接弯管组件(欧标) |
| 1A | 23201A | JOINT CARBURETOR (FOR USA) | 2 | | 170M-A.17.2a | 连接弯管组件(美标) |
| 2 | 23202 | O-RING 35X2 | 2 | | 170M.17-13 | O型圈35X2 |
| 3 | 10085 | SCOKET HEAD BOLT M6X25 | 2 | | GB70 | 内六角螺栓-M6X25 |
| 4 | 23204 | JOINT | 1 | | 170M.17-12 | 法兰 |
| 5 | 23205 | HOSE CLAMP D | 1 | | 170M.17.4 | 环箍组件B |
| 6 | 23206 | HOSE CLAMP C | 1 | | LH260ATV.16.6 | 卡箍C |
| 7 | 25285 | AIR CLEANER JOINT | 1 | | LH260ATV-B.15-2 | 连接弯管 |
| 8 | 23208 | HOSE CLAMP B | 1 | | LH260ATV.16.4 | 卡箍B |
| 9 | 23209 | HOSE CLAMP A | 1 | | LH260ATV.16.2 | 卡箍A |
| 10 | 25197 | COVER AIR CLEANER | 1 | | LH260ATV-B.15.1 | 空滤器盖组件 |
| 11 | 23211 | AIR CLEANER CASE1 | 1 | | LH260ATV.16.3 | 空滤器箱体 |
| 12 | 23212 | ELEMENT COMP AIR CLEANER | 1 | | LH260ATV.16.1 | 滤芯组件 |
| 13 | 23213 | FILTER COVER | 1 | | LH260ATV.16.7 | 滤芯套 |
| 14 | 23214 | CLIP | 2 | | LH260ATV.16.4 | 卡箍 |



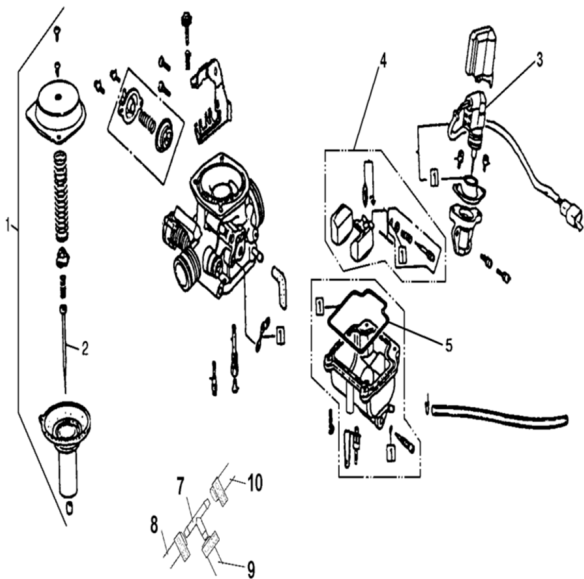
| | | | | | |
|----|--------|--------------------------|---|----------------|----------|
| 15 | 23215 | HOSE | 1 | LH260ATV.16-3 | 空滤器放油管 |
| 16 | 23216 | PLUG | 1 | LH260ATV.16-5 | 放油管堵头 |
| 17 | 25198 | AIR CLEANER ASSY | 1 | LH260ATV-B.15 | 空滤器 |
| 18 | 23218A | AIR CLEANER COVER CLIP | 6 | LH260ATV.16-10 | 卡箍 |
| 19 | 25587 | JOINT, AIR CLEANER | 1 | LH260ATV.16-7 | 进气接头 |
| 20 | 25588 | WASHER, AIR CLEANER | 1 | LH260ATV.16-8 | 进气接头橡胶垫 |
| 21 | 25589 | JOINT FIXED, AIR CLEANER | 1 | LH260ATV.16-9 | 进气接头固定盖 |
| 22 | 25600 | RUBBER WASHER | 2 | LH260ATV.16-6 | 空滤器缓冲垫 |
| 23 | 29695 | BOLT M6X20 | 1 | LH800U-D.2-22C | 螺栓 M6X20 |

↔ Interchangeable; ≠ Noninterchangeable; ← New for old → old for new

30 CARBURETOR

NOTE:

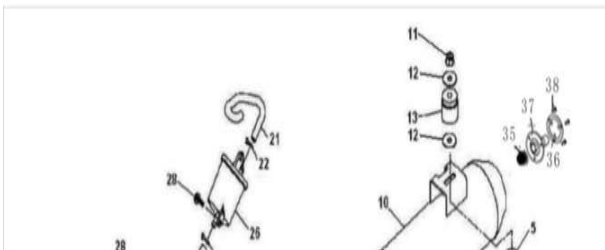
The picture is not used for the order of the spare parts, but only for your reference. If you want to order any part, you must order the assembly.



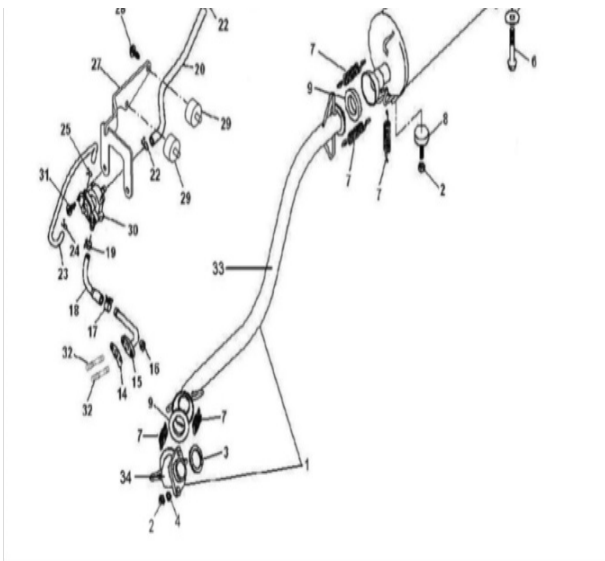
| REF. No. | PART NO. | DESCRIPTION | Q'T Y | I/C PIN | 图号 | 名称 |
|----------|----------|---------------------------------------|-------|---------|-------------|---------------|
| 1 | 23301a | CARBURETOR ASSY (TOP PULL CABLE TYPE) | 1 | | 170M-A.13 | 化油器(上拉式) |
| 2 | 23302 | JET NEEDLE SET | 1 | | 170M.13.2-1 | 油针 |
| 3 | 23303 | AUTO CHOKE ASSEM | 1 | | 170M.13.2.1 | 加浓阀 |
| 4 | 23304 | FLOAT ASSY | 1 | | 170M.13.2.2 | 浮子 |
| 5 | 23305 | BOWL GASKET | 1 | | 170M.13.2.2 | 橡胶垫 |
| 6 | 23306 | MAIN JET | 1 | | 170M.13.2-3 | 主量孔 |
| | 23307 | IDLE JET | 1 | | 170M.13.2-4 | 待速量孔 |
| 7 | 30235 | FUEL HOSE COUPLER | 1 | | 170M-A.13-1 | 三通 |
| 8 | 23308 | HOSE Φ8X4.5X260 | 1 | | 170M-A.13.1 | 通气管 8X4.5X260 |
| 9 | 23309 | HOSE Φ8X4.5X390 | 1 | | 170M-A.13.2 | 溢油管A8X4.5X390 |
| 10 | 23310 | HOSE Φ8X4.5X280 | 1 | | 170M-A.13.3 | 溢油管B8X4.5X280 |

↔ Interchangeable; ≠ Noninterchangeable; ← New for old → old for new

31 EXHAUST



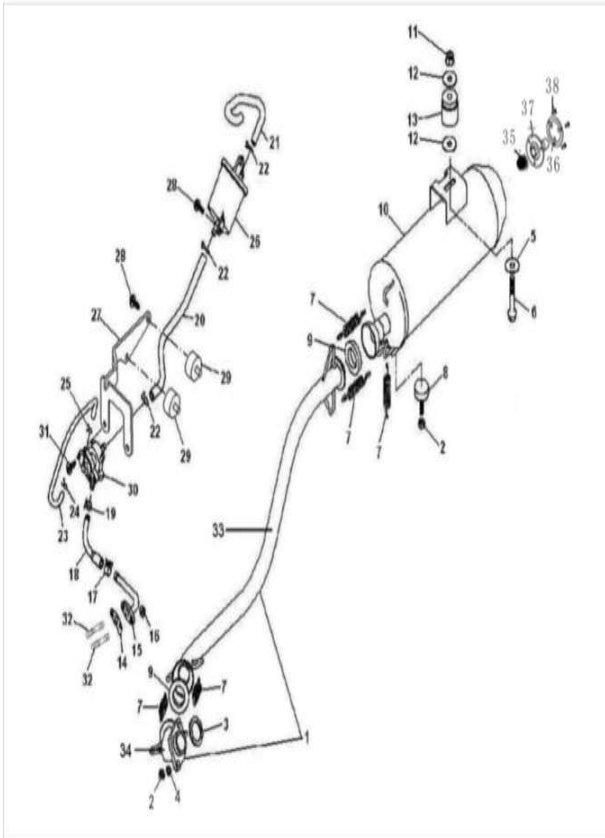
| REF. No. | PART NO. | DESCRIPTION | Q'T Y | I/C PIN | 图号 | 名称 |
|----------|----------|-------------------------|-------|---------|-----------------|----------------|
| 1 | 25200 | EXHAUST PIPE | 1 | | LH260ATV-B.14.2 | 消音器后部弯管 |
| 2 | 10080 | NUT M8 | 4 | | GB/T6177 | 螺母-M8 |
| 3 | 23403 | EXHAUST PIPE GASKET | 1 | | 170M.19.3 | 排气管垫圈 |
| 4 | 10106 | WASHER 8 | 2 | | GB/T93 | 弹垫-8 |
| 5 | 10117 | WASHER PLATE 10 | 1 | | GB/T96 | 垫圈-10 |
| 6 | 10120 | BOLT FLANGE M10X1.25X62 | 1 | | GB/T16674.1 | 螺栓-M10X1.25X62 |
| 7 | 23408 | SPRING | 5 | | LH260ATV.15-1 | 拉簧 |
| 8 | 23410 | MUFFLER SUPPORT BOTTOM | 1 | | LH260ATV15.3 | 消音器下缓冲块 |
| 9 | 25222 | JOINT | 1 | | LH260ATV-B.14.3 | 球形密封圈 |



| | | | | | |
|----|--------|-------------------------------------|---|------------------|-----------------|
| 10 | 25313 | MUFFLER | 1 | LH260ATV-B.14b.1 | 消音器筒体(美标) |
| 11 | 10015 | NUT M10X1.25 | 1 | GB/T6187 | 螺母 -M10X1.25 |
| 12 | 10117 | WASHER PLATE 16 | 2 | GB/T96 | 垫圈-16 |
| 13 | 23415 | MUFFLER SUPPORT | 1 | LH260ATV.15.2 | 消音器上缓冲块组件 |
| 14 | 43510 | WASHER | 1 | 170M.20-10 | 补气垫片 |
| 15 | 43511B | HOSE | 1 | 170M-A.20.3a | 连接管组件 |
| 16 | 10004 | NUT M6 | 2 | GB/T6187 | 自锁螺母M6 |
| 17 | 43513 | CLIP 16 | 1 | 170M.20-9 | 卡箍16 |
| 17 | 70140 | CLAMP 16/27 (MATCH WITH NEW HOSE C) | 1 | 1DA-12495-00 | 喉箍16/27 |
| 18 | 43512 | HOSE C (OLD MODEL) | 1 | 170M.20-8 | 连接软管C (老状态) |
| 18 | 43512 | HOSE C (NEW MODEL) | 1 | 170M.20-8 | 连接软管C (尺寸加厚新状态) |
| 19 | 43514 | CLIP 13 | 1 | 170M.20-4 | 卡箍13 |
| 19 | 10774 | CLAMP 12/20 (MATCH WITH NEW HOSE C) | 1 | BHG1200005 | 喉箍12/20 |
| 20 | 43525 | HOSE B | 1 | 170M.20-3 | 连接软管B |
| 21 | 43518 | HOSE A | 1 | 170M.20-1 | 连接软管A |
| 22 | 43519 | HOSE CLAMP 16 | 3 | 170M.20-2 | 卡簧16 |
| 23 | 43520 | PIPE | 1 | 170M.20-7 | 负压管 |
| 24 | 43521 | CLIP 9 | 1 | 170M.20-6 | 卡箍9 |

↔ Interchangeable; ≠ Noninterchangeable; ← New for old → old for new

31 EXHAUST



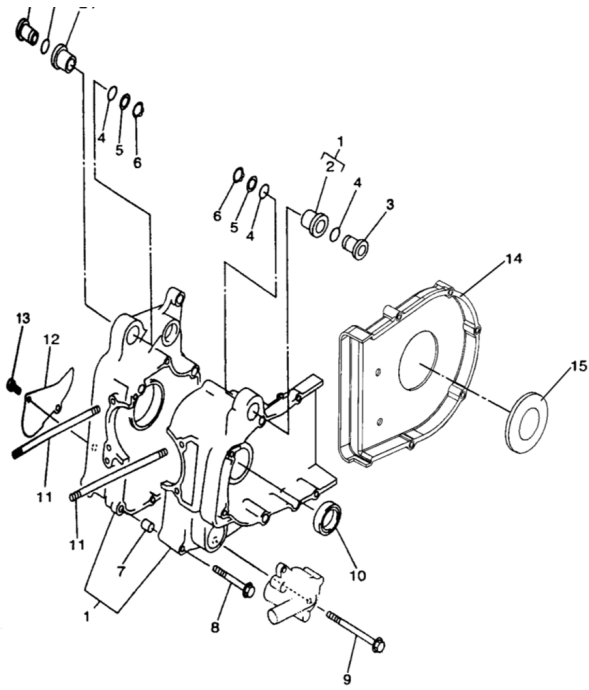
| REF. No. | PART NO. | DESCRIPTION | Q'T Y | I/C PIN | 图号 | 名称 |
|----------|----------|------------------------------|-------|---------|-------------------|-----------|
| 25 | 43522 | CLIP 7.6 | 1 | | 170M.20-5 | 卡箍7.6 |
| 26 | 43523 | FILTER | 1 | | 170M.20.1 | 补气滤清器 |
| 27 | 25204 | VALVE BRACKET | 1 | | 170M-A.20.4a | 控制阀安装支架 |
| 28 | 10140 | BOLT M6X12 | 4 | | GB/T16674.1 | 螺栓M6X12 |
| 29 | 20316 | RUBBER PAD | 8 | | LH260ATV.1.15 | 弹性安装螺母 |
| 30 | 43516 | VALVE | 1 | | 170M.20.2 | 二次补气控制阀 |
| 31 | 10010 | BOLT M6X20 | 2 | | GB/T5789 | 螺栓 M6X20 |
| 32 | 26003 | BOLT | 2 | | 170M.20-11 | 双头螺栓M6X29 |
| 33 | 25275 | EXHAUST PIPE 1 | 1 | | LH260ATV-B.14.2.1 | 连接弯管后部组件 |
| 34 | 25276 | EXHAUST PIPE 2 | 1 | | LH260ATV-B.14.2.2 | 连接弯管前部组件 |
| 35 | 7031a | FIRE SATELLITE NETWORK | 1 | | LH520ATV.14.2.3 | 防火星网 |
| 36 | 7031b | STOPPER PLATE | 1 | | LH520ATV.14.2-3 | 消音器止动垫片 |
| 37 | 27305 | MUFFLER TAIL PIPE COMPONENTS | 1 | | LH400ATV-2.14.3 | 后尾管组件 |
| 38 | 10272 | BOLT M6X16 | 3 | | GB/T5783 | 螺栓M6×16 |

↔ Interchangeable; ≠ Noninterchangeable; ← New for old → old for new

32 CRANKCASE

| REF. No. | PART NO. | DESCRIPTION | Q'T Y | I/C PIN | 图号 | 名称 |
|----------|----------|----------------|-------|---------|----------|--------|
| 1 | 23501 | CRANKCASE ASSY | 1 | | 170M-A.4 | 箱体组件 |
| 2 | 23502 | HOLDER | 2 | | 170M.4.7 | 弹性衬套组件 |

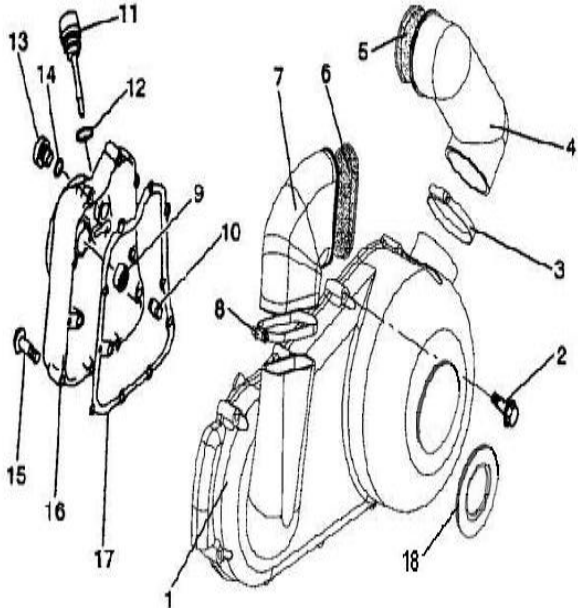




| | | | | | |
|----|--------|------------------------|---|-----------------|------------|
| 3 | 23503 | COLLAR | 2 | 170M.4-17 | 衬套 |
| 4 | 23504 | O-RING | 4 | 170M.4-16 | O型圈 |
| 5 | 23505 | WASHER PLATE 16 | 2 | 170M.4-18 | 垫圈16 |
| 6 | 10121 | CIRCLIP 16 | 2 | GB894.1-16 | 弹性挡圈 |
| 7 | 22422 | DOWEL PIN 10X14 | 2 | 1E52FM010011 | 定位销10X14 |
| 8 | 23508 | FLANGE BOLT M6X70 | 4 | 170M.4-5 | 螺栓M6X70 |
| 9 | 23509 | FLANGE BOLT M6X100 | 5 | 153FM.16-9 | 螺栓M6X100 |
| 10 | 23510 | OIL SEAL 30X45X5 | 1 | 170M.4.3 | 油封30X45X5 |
| 11 | 23511 | STUD BOLT M8X245 | 4 | 170M.4-3 | 双头螺栓M8X245 |
| 12 | 23512 | COVER CRANKCASE RIGHT | 1 | 170M.4-12 | 变速箱右盖 |
| 13 | 10036 | SOCKET HEAD BOLT M6X14 | 2 | GB70-M6X14 | 内六角螺栓 |
| 14 | 23514F | REAR INSIDE COVER | 1 | LH260ATV.14.1.1 | 后盖 |
| 15 | 23515 | SEALING | 1 | LH260ATV.14.1-2 | 密封盖 |

↔ Interchangeable; ≠ Noninterchangeable; ← New for old → old for new

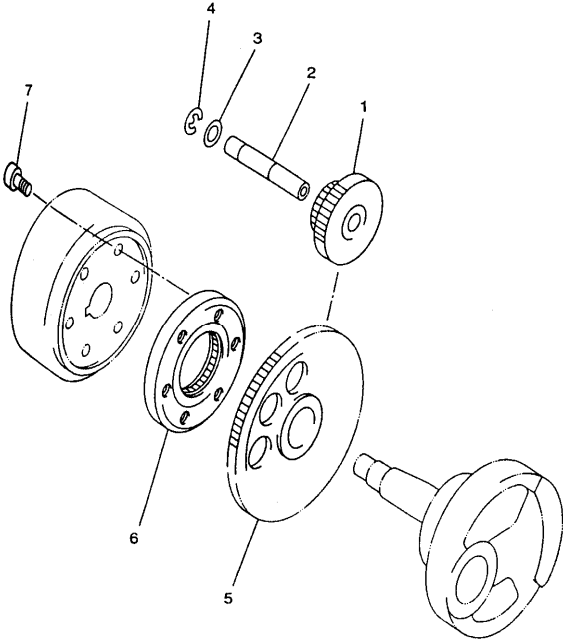
33 LEFT&RIGHT COVER



| REF. No. | PART NO. | DESCRIPTION | Q'T Y | I/C PIN | 图号 | 名称 |
|----------|----------|---------------------------------------|-------|---------|------------------|-------------|
| 1 | 23601a | COVER CRANKCASE LEFT | 1 | | LH260ATV.14.2-2a | 左盖 |
| 2 | 23602 | FLANGE BOLT M6X52 | 5 | | LH260ATV.14.1-3 | 螺栓M6X40 |
| 3 | 23603 | HOSE CLAMP B | 1 | | LH260ATV.14.2.4 | 卡箍B |
| 4 | 23604 | JOINT A | 1 | | LH260ATV.14.2-3 | 出气弯管 |
| 5 | 23605 | AIR STRAINER B | 1 | | LH260ATV.14.2.3 | 滤网B |
| 6 | 23606 | AIR STRAINER A | 1 | | LH260ATV.14.2.2 | 滤网A |
| 7 | 23607 | JOINT B | 1 | | LH260ATV.14.2-1 | 进气弯管 |
| 8 | 23608 | HOSE CLAMP A | 1 | | LH260ATV.14.2.1 | 卡箍A |
| 9 | 23609 | OIL SEAL | 1 | | 170M.5.1 | 油封 |
| 10 | 22422 | DOWEL PIN 10X14 | 4 | | 1E52FM010011 | 定位销10X14 |
| 11 | 23611 | OIL PLUG | 1 | | 170M.5-5 | 机油尺 |
| 12 | 10122 | O-RING 18X2.65 | 1 | | GB3452.1 | O型圈-18X2.65 |
| 13 | 23613 | OIL PLUG | 1 | | 170M.5-4 | 窥视盖 |
| 14 | 10123 | O-RING 14X2.65 | 1 | | GB3452.1 | O型圈-14X2.65 |
| 15 | 23615 | FLANGE BOLT M6X40 | 15 | | 170M.4-21 | 螺栓M6X40 |
| 16 | 23616 | CAP COVER | 1 | | 170M.5-1 | 右盖 |
| 17 | 23617 | CRANKCASE COVER GASKET RIGHT | 1 | | 170M.5-2 | 右盖垫 |
| 18 | 23619 | RUBBER GASKET(WITH HIGH-POWER CLUTCH) | 1 | | LH260ATV.14.2-4 | 防尘橡胶圈 |

↔ Interchangeable; ≠ Noninterchangeable; ← New for old → old for new

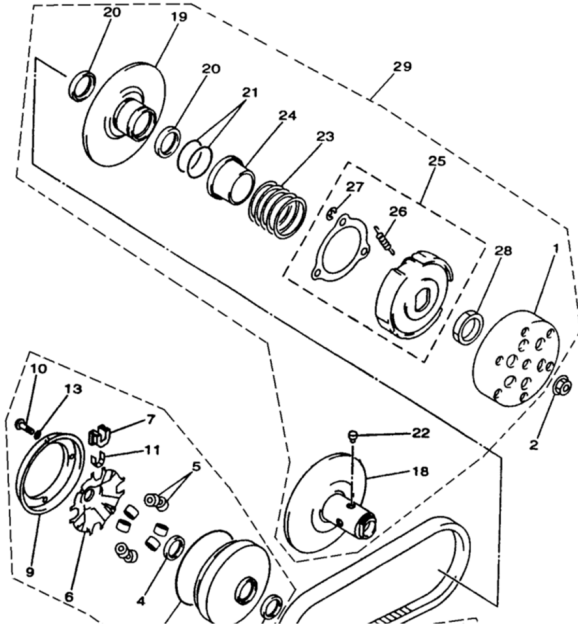
34 STARTER



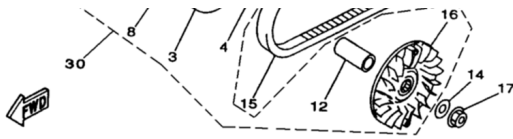
| REF. No. | PART NO. | DESCRIPTION | Q'T Y | I/C PIN | 图号 | 名称 |
|----------|----------|------------------------|-------|---------|----------|-------------|
| 1 | 23701 | GEAR IDLER | 1 | | 170M.7.1 | 双联齿轮 |
| 2 | 23702 | SHAFT | 1 | | 170M.7-2 | 中间轴 |
| 3 | 23703 | WASHER 12 | 1 | | 170M.7-1 | 垫圈12 |
| 4 | 10129 | CIRCLIP 12 | 1 | | GB894.1 | 弹性挡圈-12 |
| 5 | 23705 | GEAR REDUCTION | 1 | | 170M.7.2 | 输出齿轮组件 |
| 6 | 23706 | STARTER CLUTCH | 1 | | 170M.7.3 | 超越离合器组件 |
| 7 | 10131 | SOCKET HEAD BOLT M8X16 | 3 | | GB70 | 内六角螺钉-M8X16 |

↔ Interchangeable; ≠ Noninterchangeable; ← New for old → old for new

35 CLUTCH



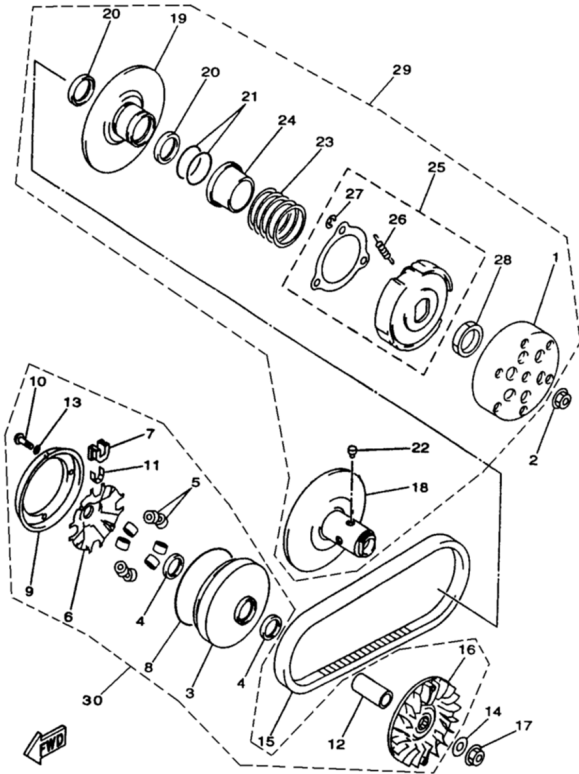
| REF. No. | PART NO. | DESCRIPTION | Q'T Y | I/C PIN | 图号 | 名称 |
|----------|----------|---|-------|---------|--------------|---------------------------------|
| 1 | 25614 | CLUTCH HOUSING COMP. | 1 | | 1BB-16611-30 | 摩擦轮组合 |
| 2 | 23802 | NUT | 1 | | 1BB-17677-30 | 螺母 |
| 3 | 27460 | PRIMARY SLIDING SHEAVE COMP | 1 | | 1BB-17620-30 | 移动轮组合 |
| 4 | 23804 | OIL SEAL | 2 | | 1BB-17696-30 | 油封 |
| 5 | 27461 | WEIGHT | 8 | | 1BB-17632-30 | 滚珠 |
| 6 | 25615 | CAM | 1 | | 1BB-17623-30 | 斜坡板 |
| 7 | 27463 | SLIDER | 4 | | 1BB-17653-30 | 导向架 |
| 8 | 27464 | O-RING 115X2.5 | 1 | | B921150251 | O型圈Φ115xΦ2.5 |
| 9 | 27465 | STOPPER | 1 | | 1BB-17639-30 | 防尘盖 |
| 10 | 10132 | PAN HEAD SCREW M4X12 | 4 | | B23L00412R | 十字盘头螺钉M4X12 |
| 11 | 27466 | SPACER 1 | 4 | | 1BB-17654-30 | 支架 |
| 12 | 25616 | COLLAR | 1 | | 1BB-17688-30 | 滑套 |
| 13 | 23813 | WASHER PLATE 4 | 4 | | B618004010 | 垫圈4 |
| 14 | 25617 | WASHER PLATE | 1 | | 1BB-16623-30 | 垫片 |
| 15 | 23815 | V-BELT (LOGO "MITSUBOSHI") | 1 | | 170M.9-4 | 驱动皮带 (进口件) (MITSUBOSHI) |
| 15 | 23817 | V-BELT (LOGO "GATES") (USED FOR EXCEPT FRANCE, GERMANY CUSTOMERS) | 1 | | 1BB-17641-10 | 驱动皮带 (国产) (GATES) (除法国、德国客户外使用) |
| 16 | 25618 | SHEAVE PRIMARY FIXED | 1 | | 1BB-17611-30 | 驱动盘 |
| 17 | 23802 | NUT | 1 | | 1BB-17677-30 | 螺母 |
| 18 | 27469 | | 1 | | 1BB-17660-30 | 固定盘组合 |



| | | | | | | |
|----|-------|---|---|---|--------------|--------------|
| | | / | SECONDARY FIXED SHEAVE COMP.INCLUDE TWO BEARINGS ONE OIL SEAL AND ONE CIRCLIP | | BCC0100097 | 滚动轴承17x30x7 |
| | | / | | | 170M.9.2.1-6 | 孔用挡圈 |
| | | / | | | BCC3100003 | 滚针轴承25x32x12 |
| | | / | | | 1BB-17694-30 | 油封25x32x4 |
| 19 | 27470 | | SECONDARY SLIDING SHEAVE | 1 | 1BB-17670-30 | 移动盘组合 |
| 20 | 23820 | | OIL SEAL47X41X4 | 2 | 1BB-17674-30 | 油封47x41x4 |
| 21 | 27471 | | O-RING 46.2X2 | 2 | 1BB-17695-30 | O型圈Φ46.2xΦ2 |
| 22 | 27472 | | PIN GUIDE | 4 | 1BB-17664-30 | 滚柱 |
| 23 | 27473 | | COMPRESSION SPRING | 1 | 1BB-17676-30 | 压缩弹簧 |

↔ Interchangeable; ≠ Noninterchangeable; ← New for old → old for new

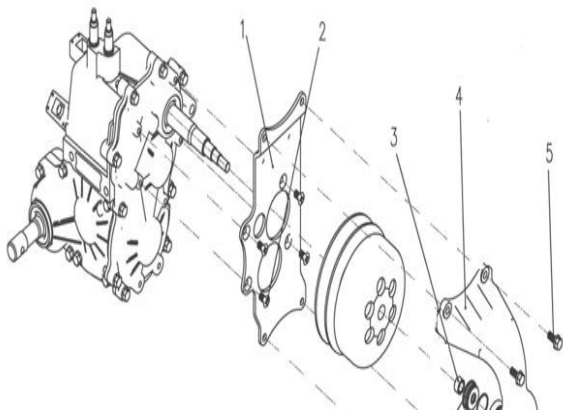
35 CLUTCH



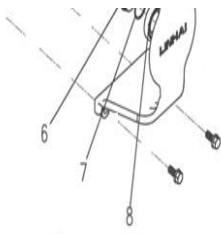
| REF. No. | PART NO. | DESCRIPTION | Q'T Y | I/C | PIN | 图号 | 名称 |
|----------|----------|------------------------|-------|-----|-----|--------------|------------|
| 24 | 27474 | SEAT SECONDARY SPRING | 1 | | | 1BB-17644-30 | 弹簧座 |
| 25 | 25619 | CLUTCH CARRIER ASSY | 1 | | | 1BB-16620-30 | 驱动板组件 |
| 26 | 25643 | CLUTCH WEIGHT SPRING 1 | 3 | | | 1BB-16626-30 | 拉簧 |
| 27 | 10133 | CIRCLIP 8 | 3 | | | B713008000 | 挡圈8 |
| 28 | 23928 | NUT M36X1.5 | 1 | | | 170M.9.2-2 | 扁螺母M36X1.5 |
| 29 | 25620 | DRIVEN ASSY COMPLETE | 1 | | | 1BB-17690-30 | 从动轮及离合器组件 |
| 30 | 25621 | DRIVE ASSY COMPLETE | 1 | | | 1BB-17650-30 | 主动轮组件 |

↔ Interchangeable; ≠ Noninterchangeable; ← New for old → old for new

36 HIGH-POWER CLUTCH STAND ASSY

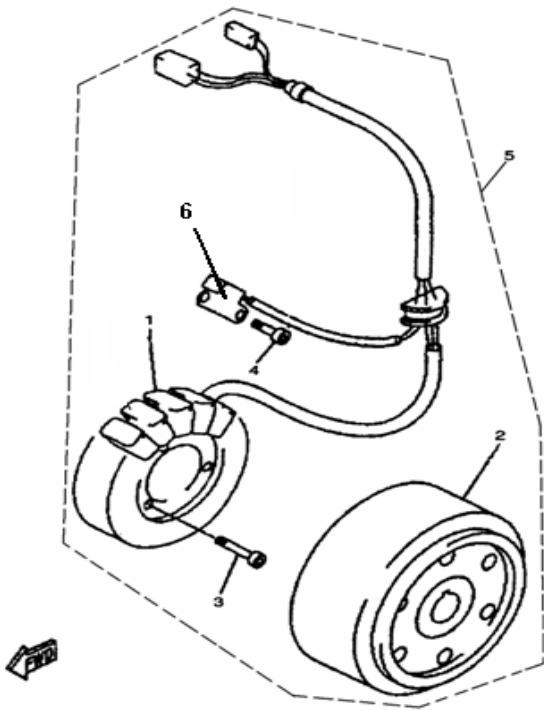


| REF. No. | PART NO. | DESCRIPTION | Q'T Y | I/C | PIN | 图号 | 名称 |
|----------|----------|-----------------|-------|-----|-----|-----------------|--------------|
| 1 | 23941 | BRACKET 1 | 1 | | | LH260ATV.14.3.1 | ATV离合器下支架组件 |
| 2 | 10424 | SWCREW M8X12 | 4 | | | GB/T819 | 十字槽沉头螺钉M8X12 |
| 3 | 23942 | SMALL SPACER | 1 | | | LH260ATV.14.3-2 | 小轴套 |
| 4 | 23943 | BRACKET 2 | 1 | | | LH260ATV.14.3-1 | ATV离合器上支架 |
| 5 | 10060 | BOLT M8X28 | 4 | | | GB/T16674.1 | 六角法兰螺栓M8X28 |
| 6 | 23944 | SPACER | 1 | | | 170M.18-6 | 轴套 |
| 7 | 10321 | O-RING 26.5X1.8 | 1 | | | GB/T3452.1 | O型圈26.5X1.8 |
| 8 | 10426 | BEARING 6906Z | 1 | | | GB/T276 | 轴承6906Z |



↔ Interchangeable; ≠ Noninterchangeable; ← New for old → old for new

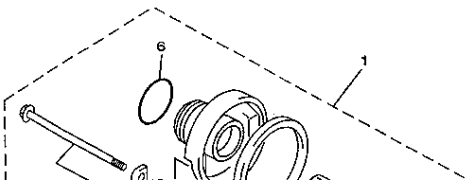
37 GENERATOR



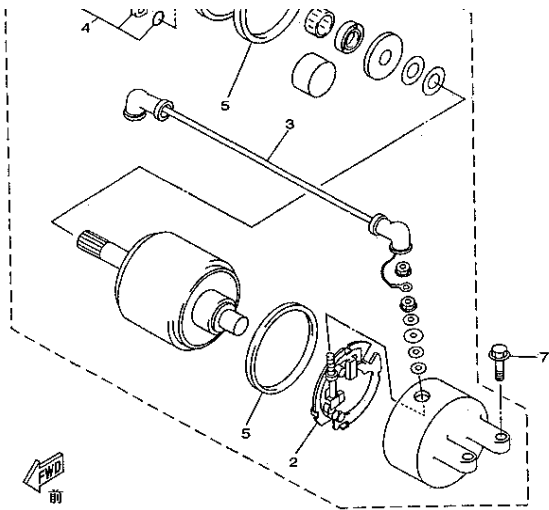
| REF. No. | PART NO. | DESCRIPTION | Q'T Y | I/C | PIN | 图号 | 名称 |
|----------|----------|---|-------|-----|-----|--------------|---------------|
| 1 | 27450 | STATOR ASSY (USED FOR WATERPROOF PLUG UNIT) | 1 | | | 170M.6.1.2c | 定子组合 (防水插件专用) |
| 2 | 24002 | ROTOR ASSY (GREEN COLOR) | 1 | | | 170M.6.1.1 | 转子组合 |
| | 24002A | HIGH-POWER GENERATOR ROTOR ASSY (WHITE COLOR) | 1 | | | 170M.6.1.1b | 大磁电机转子组合 |
| 3 | 10134 | SOCKET HEAD BOLT M5X25 | 3 | | | GB70-85 | 螺栓M5X25 |
| | 10085 | SOCKET HEAD BOLT M6X25 | 3 | | | GB70-85 | 螺栓M6X25 |
| 4 | 10135 | SOCKET HEAD BOLT M5X12 | 2 | | | GB70-85 | 螺栓M5X12 |
| 5 | 24005 | GENERATOR ASSY | 1 | | | 170M.6.1 | 磁电机组合 |
| | 24005A | HIGH-POWER GENERATOR ASSY | 1 | | | 170M.6.1b | 大磁电机组合 |
| 6 | 24006 | PICK UP COIL | 1 | | | 170M.6.1.2.2 | 触发线圈 |

↔ Interchangeable; ≠ Noninterchangeable; ← New for old → old for new

38 STARTING MOTOR

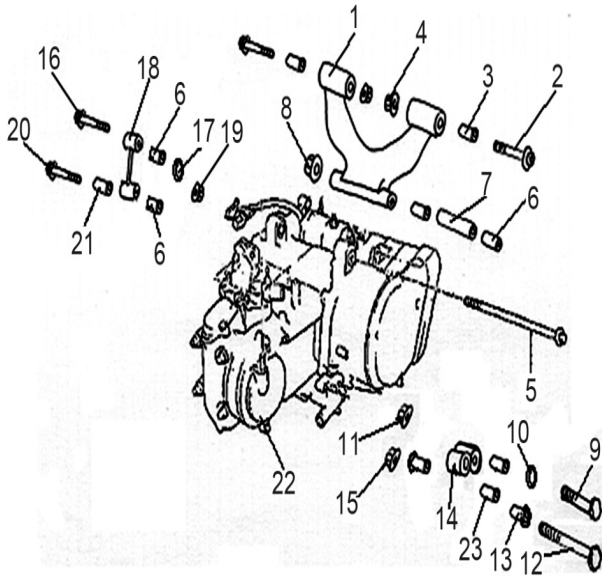


| REF. No. | PART NO. | DESCRIPTION | Q'T Y | I/C | PIN | 图号 | 名称 |
|----------|----------|---------------------|-------|-----|-----|-----------|-----------|
| 1 | 24101 | STARTING MOTOR ASSY | 1 | | | 170M.16 | 起动机部件 |
| 2 | 24102 | BRUSH HOLD ASSY | 1 | | | 170M.16.4 | 碳刷架 |
| 3 | 24103 | CORD, STARTER MOTOR | 1 | | | 170M.16.2 | 正接线 |
| 4 | 24104 | BOLT | 2 | | | 170M.16-2 | 螺栓 |
| 5 | 24105 | GASKET | 2 | | | 170M.16-3 | 衬垫 |
| 6 | 24106 | O-RING 24.5X3 | 1 | | | 170M.16-1 | O型圈24.5X3 |
| 7 | 24107 | FLANGE BOLT M6X25 | 2 | | | 170M.4-6 | 螺栓M6X25 |



↔ Interchangeable; ≠ Noninterchangeable; ← New for old → old for new

39 ENGINE

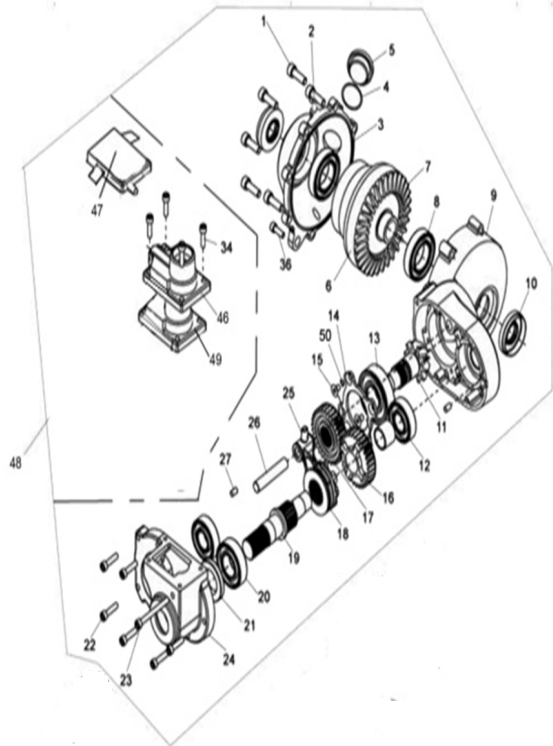


↔ Interchangeable; ≠ Noninterchangeable; ← New for old → old for new

| REF. No. | PART NO. | DESCRIPTION | Q'T Y | I/C PIN | 图号 | 名称 |
|----------|----------|----------------------------|-------|---------|-----------------|----------------|
| 1 | 24201 | FRONT ENGINE MOUNT BRACKET | 1 | | LH260ATV.20.1.1 | 吊架焊接组件 |
| 2 | 24202 | ENGINE BRACKET BOLT | 2 | | LH260ATV.20-2 | 吊架安装轴 |
| 3 | 24203 | BUSHING ENGING BRACKET1 | 2 | | LH260ATV.20.1.2 | 吊架缓冲套I |
| 4 | 10136 | NUT M12X1.25 | 2 | | GB/T6187 | 螺母-M12X1.25 |
| 5 | 24205 | ENGINE MOUNTING BOLT | 1 | | LH260ATV.20-1 | 发动机轴 |
| 6 | 24206 | BUSHING ENGING BRACKET2 | 4 | | LH260ATV.20.1.3 | 吊架缓冲套II |
| 7 | 24207 | SPACER ENGINE BRACKET | 1 | | LH250T.6.1-1 | 吊架隔套 |
| 8 | 10015 | NUT M10X1.25 | 1 | | GB/T6187 | 螺母-M10X1.25 |
| 9 | 10016 | BOLT M10X1.25X55 | 1 | | GB/T5785 | 螺栓-M10X1.25X55 |
| 10 | 24210 | WASHER | 1 | | LH260ATV.20-4 | 左垫圈 |
| 11 | 10015 | NUT M10X1.25 | 1 | | GB/T6187 | 螺母-M10X1.25 |
| 12 | 10137 | BOLT M8X120 | 1 | | GB/T5782 | 螺栓-M8X120 |
| 13 | 24213 | LEFT SPACER | 2 | | LH260ATV.20-3 | 左隔套 |
| 14 | 24214 | STAY ENGINE LEFT | 1 | | LH260ATV.20.2 | 左摇臂组件 |
| 15 | 10079 | NUT M8 | 1 | | GB/T6187 | 螺母-M8 |
| 16 | 10138 | BOLT M10X1.25X68 | 1 | | GB/T5785 | 螺栓-M10X1.25X68 |
| 17 | 24217 | WASHER | 1 | | LH260ATV.20-6 | 右垫圈 |
| 18 | 24218 | STAY ENGINE RIGHT | 1 | | LH260ATV.20.3 | 右摇臂组件 |
| 19 | 10015 | NUT M10X1.25 | 1 | | GB/T6187 | 螺母-M10X1.25 |
| 20 | 10139 | BOLT M8X65 | 1 | | GB/T5782 | 螺栓-M8X65 |
| 21 | 24221 | RIGHT SPACER | 2 | | LH260ATV.20-5 | 右隔套 |
| 22 | 24222A | ENGINE ASSY300 | 1 | | LH300ATV.14 | 发动机总成 |
| 23 | 24223 | BUSHING | 2 | | LH260ATV.20.2.2 | 左摇臂缓冲套 |

40 FRONT GEAR-BOX (FOR 4WD)

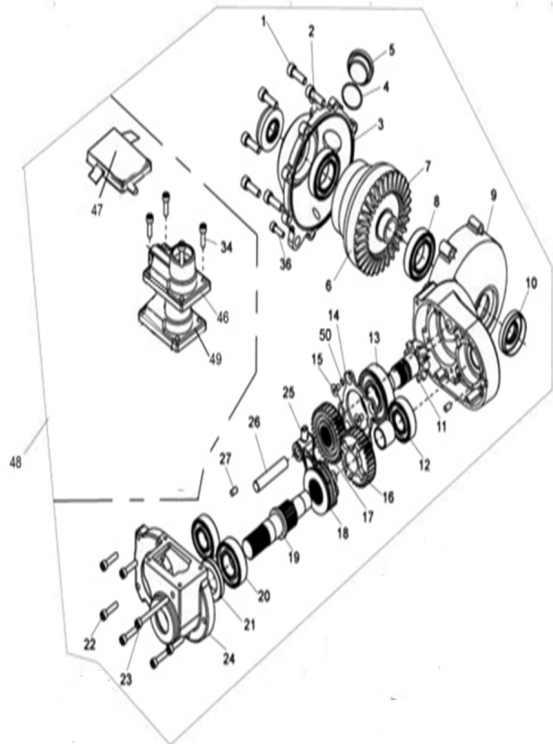
| REF. No. | PART NO. | DESCRIPTION | Q'T Y | I/C PIN | 图号 | 名称 |
|----------|----------|-------------|-------|---------|----|----|
|----------|----------|-------------|-------|---------|----|----|



| | | | | | |
|----|-------|------------------------------|---|---------------|----------------|
| 1 | 10059 | BOLT M8X25 | 7 | GB/T16674.1 | 螺栓M8X25 |
| 2 | 21112 | VENT FITTING | 1 | LH260ATV.12.3 | 通气嘴 |
| 3 | 24303 | LEFT COVER | 1 | LHTY.1-1 | 左盖 |
| 4 | 10122 | O-RING 18X2.65 | 1 | GB/T3452.1 | O形圈18*2.65 |
| 5 | 24305 | DIFF FILLERPLUG | 1 | 153FM.16-3 | 滤油网帽盖 |
| 6 | 24306 | FOC BODY | 1 | LHTY.1.1 | 差速器 |
| 7 | 24307 | BEVEL CROWNWHEEL | 1 | LHTY.1-2 | 输出锥齿轮 |
| 8 | 10202 | BEAR 6006 | 2 | GB/T276 | 轴承6006 |
| 9 | 24309 | DIFFCASE RHS | 1 | LHTY.1-3 | 箱体 |
| 10 | 24310 | SEAL SDD722X48X11 | 2 | LHTY.1.2 | 油封SDD722*48*11 |
| 11 | 24311 | CONICAL WITH HELICAL GEARING | 1 | LHTY.1-4 | 锥齿轮轴 |
| 12 | 10062 | BEAR 6204 | 2 | GB/T276 | 轴承6204 |
| 13 | 10074 | BEAR 6305ST | 1 | GB/T276 | 轴承6305ST |
| 14 | 24314 | CASEBEAR RETAINER | 1 | LHTY.1-5 | 轴承压板 |
| 15 | 10287 | SCREW M6X12 | 4 | GB/T2673 | 螺钉M6*12 |
| 16 | 24316 | DIFF GEAR | 1 | LHTY.1.3 | 切换齿轮组件 |
| 17 | 24317 | DIFF GEAR DRIVEN | 1 | LHTY.1-6 | 切换过渡齿轮 |
| 18 | 24318 | SPLINED DOG | 1 | LHTY.1-7 | 切换盘 |
| 19 | 24319 | DIFF INPUTSHAFT A | 1 | LHTY.1-8 | 输入轴 |
| 20 | 10267 | BEAR 6205 | 1 | GB/T276 | 轴承6205 |
| 21 | 24321 | SEAL TC25X47X7 | 1 | LHTY.1.4 | 油封TC25*47*7 |
| 22 | 10182 | BOLE M6X30 | 6 | GB/T16674.1 | 螺栓M6*30 |
| 23 | 10160 | BOLE M6X70 | 1 | GB/T16674.1 | 螺栓M6*70 |
| 24 | 24324 | REAR COVER | 1 | LHTY.1-9 | 后盖 |
| 25 | 24325 | DIFF SELECTOR FORK | 1 | LHTY.1-10 | 拨叉 |
| 26 | 24326 | SELECTOR RAIL | 1 | LHTY.1-11 | 拨叉导轴 |
| 27 | 24327 | PIN | 2 | LHTY.1-12 | 定位销 |
| 34 | 10183 | BOLT M6X16 | 4 | GB/T5787 | 螺栓M6*16 |
| 36 | 10168 | BOLT M8X16 | 1 | GB/T16674.1 | 放油螺栓M8*16 |

←↔ Interchangeable; ≠ Noninterchangeable; ← New for old → old for new

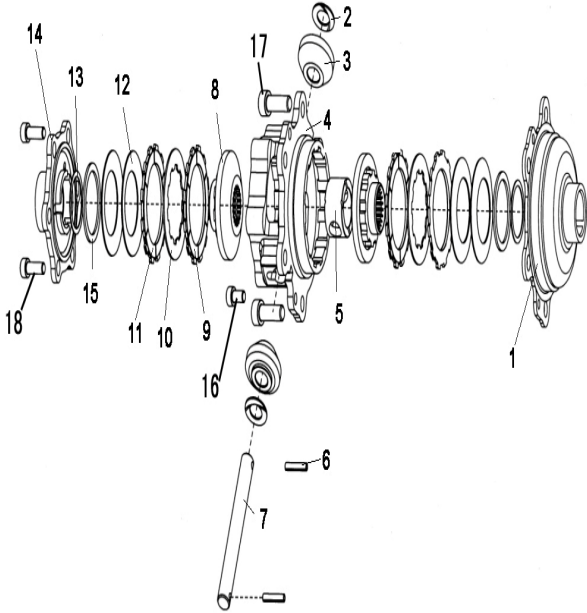
40 FRONT GEAR-BOX (FOR 4WD)



| REF. No. | PART NO. | DESCRIPTION | Q'T Y | I/C PIN | 图号 | 名称 |
|----------|----------|---|-------|---------|----------------|------------------|
| 46 | 24446c | 2WD/4WD SHIFT MOTOR(USED WITH 2WD / 4WD SWITCHPN20109b) (USED FOR WATER PROOF PLUG) | 1 | | LHTY.1.8.1c | 切换电机 (防水插件专用) |
| 47 | 24447c | 2WD/4WD SHIFT ELECTRONIC CONTROLLER(USED WITH 2WD / 4WD SWITCHPN20109b) (USED FOR WATER PROOF PLUG) | 1 | | LHTY.1.8.2c | 电子换挡控制器 (防水插件专用) |
| 48 | 24445a | FRONT GEAR-BOX (ELECTRIC SHIFT) | 1 | | LHTY.1a | 前桥总成(电子换挡) |
| 49 | 26005 | GASKET | 1 | | LHTY.1.8-1 | 密封纸垫 |
| 50 | 21453 | CIRCLIP 25 | 1 | | LH260ATV.17-14 | 挡圈25 |

↔ Interchangeable; ≠ Noninterchangeable; ← New for old → old for new

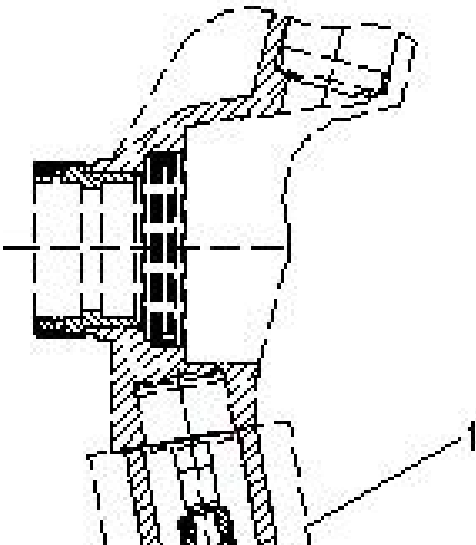
41 FOC BODY (FOR 4WD)



| REF. No. | PART NO. | DESCRIPTION | Q'T Y | I/C PIN | 图号 | 名称 |
|----------|----------|---------------------------|-------|---------|-------------|-----------|
| 1 | 24701 | LARGER COVER | 1 | | LHTY.1.1-14 | 差速器大盖 |
| 2 | 24702 | WASHER | 2 | | LHTY.1.1-2 | 球形垫片 |
| 3 | 24703 | PINION | 2 | | LHTY.1.1-3 | 小伞齿 |
| 4 | 24704 | HOUSING | 1 | | LHTY.1.1-1 | 差速器壳体 |
| 5 | 24705 | CENTER SPACER | 1 | | LHTY.1.1-5 | 中轴套 |
| 6 | 10003 | ROLL PIN | 2 | | GB/T879.1 | 弹性圆柱销4X22 |
| 7 | 24707 | CENTER PIN | 2 | | LHTY.1.1-4 | 中轴 |
| 8 | 24708 | BEVEL GEAR | 2 | | LHTY.1.1-7 | 大伞齿 |
| 9 | 24709 | CLUTCH PLATE OUTER DOUBLE | 2 | | LHTY.1.1-12 | 双面摩擦片 |
| 10 | 24710 | CLITCH PLATE INNER | 2 | | LHTY.1.1-13 | 摩擦钢片 |
| 11 | 24711 | CLUTCH PLATE OUTER SINGLE | 2 | | LHTY.1.1-11 | 单面摩擦片 |
| 12 | 24712 | DISHED SPRING | 4 | | LHTY.1.1-8 | 碟形弹簧 |
| 13 | 24713 | WASHER | 2 | | LHTY.1.1-10 | 垫圈2 |
| 14 | 24714 | SMALL COVER | 1 | | LHTY.1.1-15 | 差速器小盖 |
| 15 | 24715 | SPING SEAT | 2 | | LHTY.1.1-9 | 垫圈1 |
| 16 | 10083 | SCREW M6X15 | 2 | | GB/T70 | 螺钉M6X15 |
| 17 | 10131 | SCREW M8X16 | 6 | | GB/T70 | 螺钉M8X16 |
| 18 | 24718 | BOLT M8X15 | 6 | | LHTY.1.1-6 | 定制螺栓M8X15 |

↔ Interchangeable; ≠ Noninterchangeable; ← New for old → old for new

42 SPECIAL TOOL KIT



| REF. No. | PART NO. | DESCRIPTION | Q'T Y | I/C PIN | 图号 | 名称 |
|----------|----------|-----------------------------------|-------|---------|--------------------|------------|
| 1 | 24801 | TOOL FOR BALL JOINT,STRUT REMOVAL | 1 | | LH260ATV.3.2.1GJ.1 | 前减震联轴节拆卸工具 |

