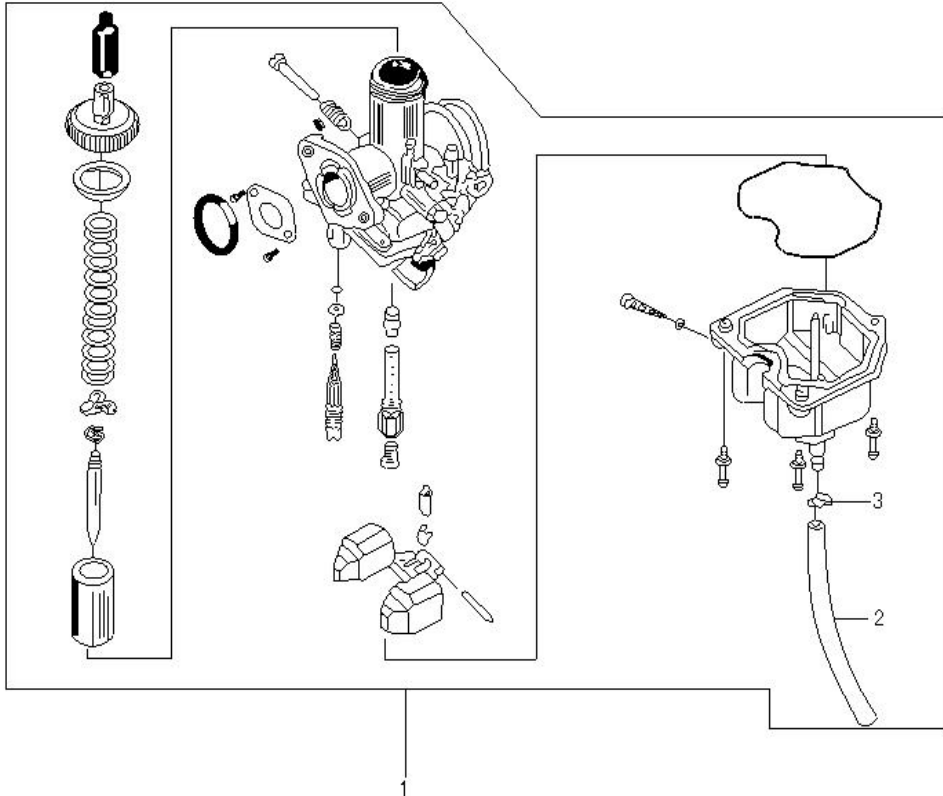


No.	Part No.	Type	English Description
-----	----------	------	---------------------



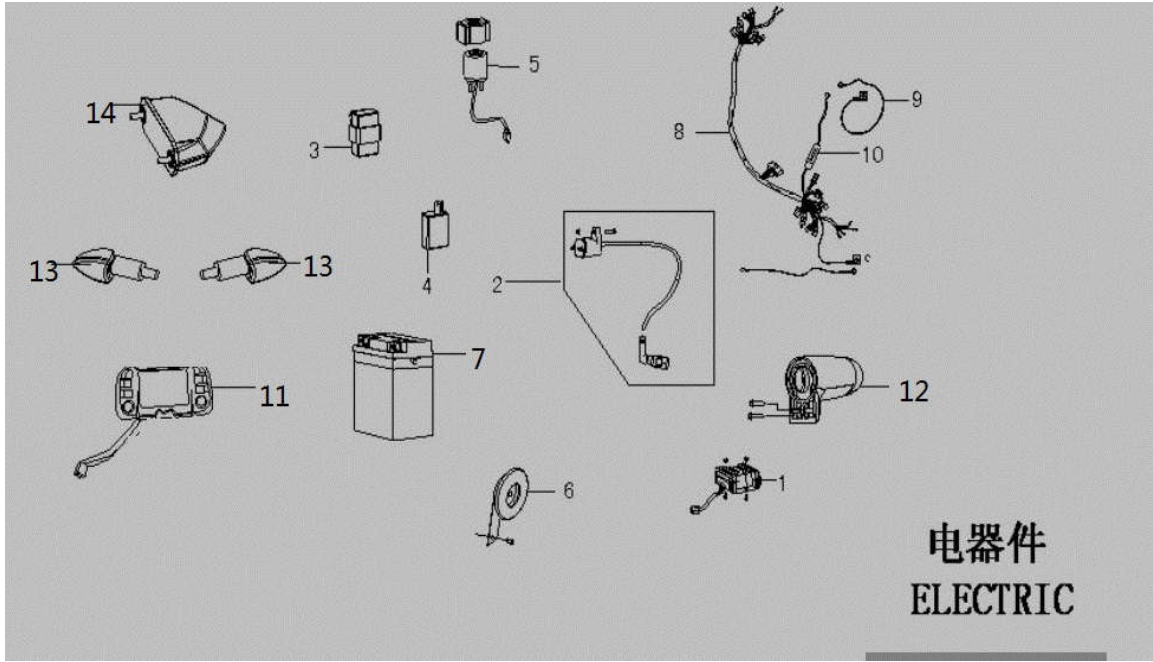
汽油机总成 ENGINE ASSY.

序号	件号	规格型号	英文名称
No.	Part No.	Type	English Description
1	201006096001	EPA-36C立上电手CB250D追风款 166FMM 白	ENGINE ASSY.

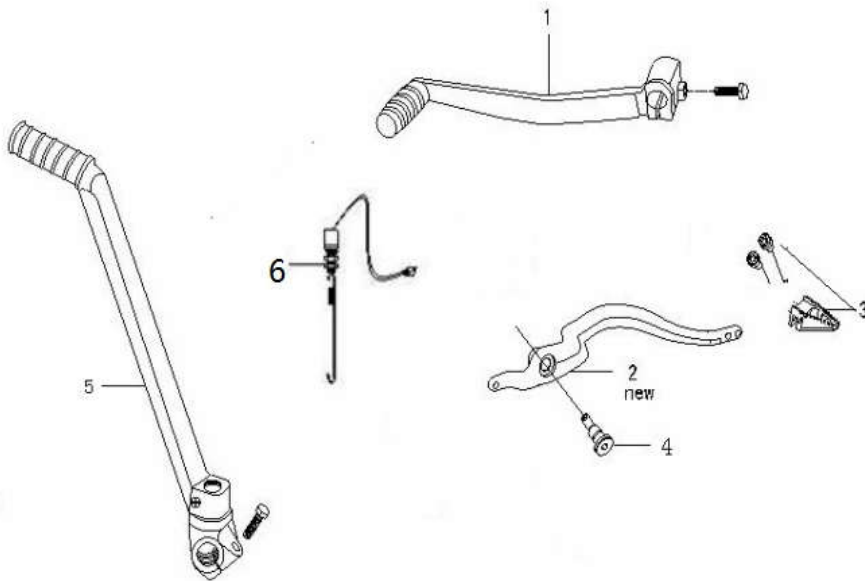


化油器
CARBURETOR

序号	件号	规格型号	英文名称
No.	Part No.	Type	Description
1	301014124001	PZ30A-1d EPA(打码PZ30) 带左风门支架	CARBURETOR

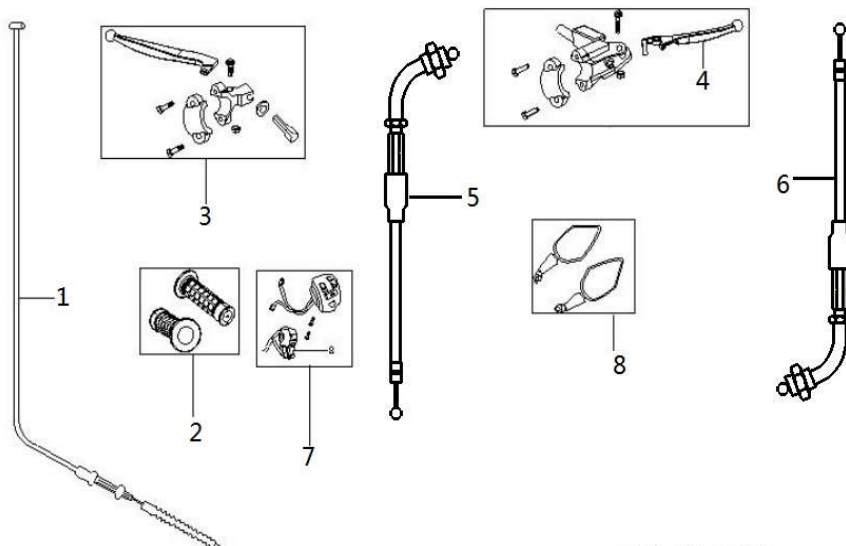


序号	件号	规格型号	英文名称
No.	Part No.	Type	Description
1	315002011001	8级开关防水调压器	RECTIFIER
2	315003009001	30- WY125pb(无厂家标识)EPA (打码XEG2)	COIL ASSY, IGNITION
3	251116003001	宗申CB250-CDI-ZSE05-0001-全波交流	CDI BOX
4	316011003002	闪光器_6.8插片_不带蜂鸣	RELAY
5	315005001002	通用	STARTING SOLENOID
6	316009003001	DL125 (E13 000645)	HORN
7	315006009001	12V9AH_长宽高144- 134X75X138_出口型_英文版(带使用说明)	BATTERY
8	315007158001	RX36C_DOT状态-带电阻- 大运开关_配SLCD10C-7款液晶仪表	HARNEES (E-Start)
9	315008005001	800mm-4平方红色	BATTERY CABLE
10	315009013001	15A(线长250mm)	FUSE ASSY.
11	317001111001	RX36C_SLCD10C-7_线长450_配17/17- 轮_后轮测速_普通插件	METER DISPLAY
12	316021003001	RX36C_DOT标识 (TL249)灯泡: 牌照灯 线束尺寸: 400mm	License plate light
13	316042001001	RX36C_DOT标识 (TL-GJ- 040)灯具: LED转向灯_底座: 黑色	Turn signals
14	316020006001	RX36C_DOT标识 (TL-GJ- 019)灯具: LED尾灯_底座: 黑色	Rear light/brake light



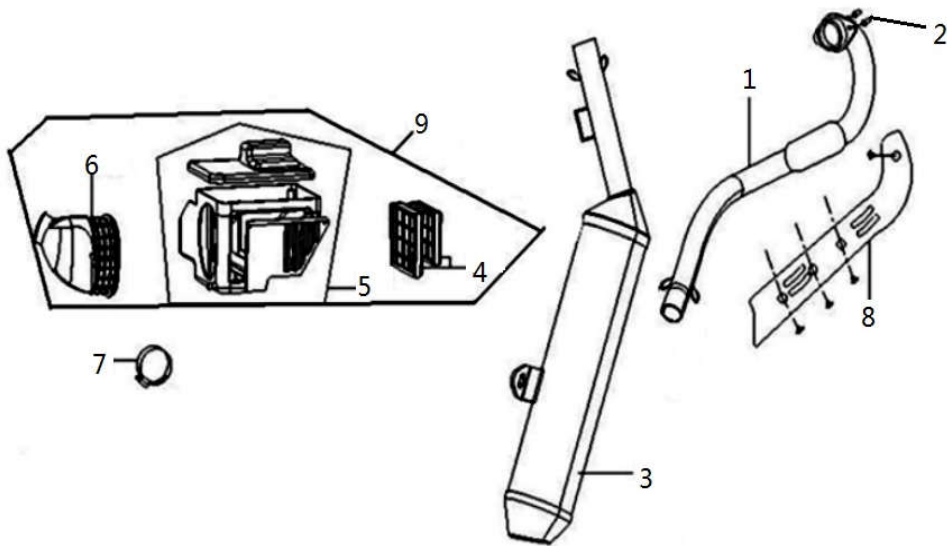
脚踏操纵件
PEDAL CONTROLLER

序号	件号	规格型号	英文名称
No.	Part No.	Type	Description
1	301001008001	BT-0C#	GEAR SHIFT LEVER
2	310031008004	36-II-M10	REAR. BRAKE LEVER
3	310032002003	APL-1	BRAKE LEVER TIP
	403004012002	M6X16mm_4.8级_圆头直径12mm(GB/T702)	brake tip bolt
4	319011012001	36-M10_8.8级	BRAKE LEVER BOLT (M10)
5	251454002001	QD-88#	KICK START
6	316005002001	独立式-带拉簧	BRAKE SWITCH



手把操纵件
HANDLE CONTROLLER

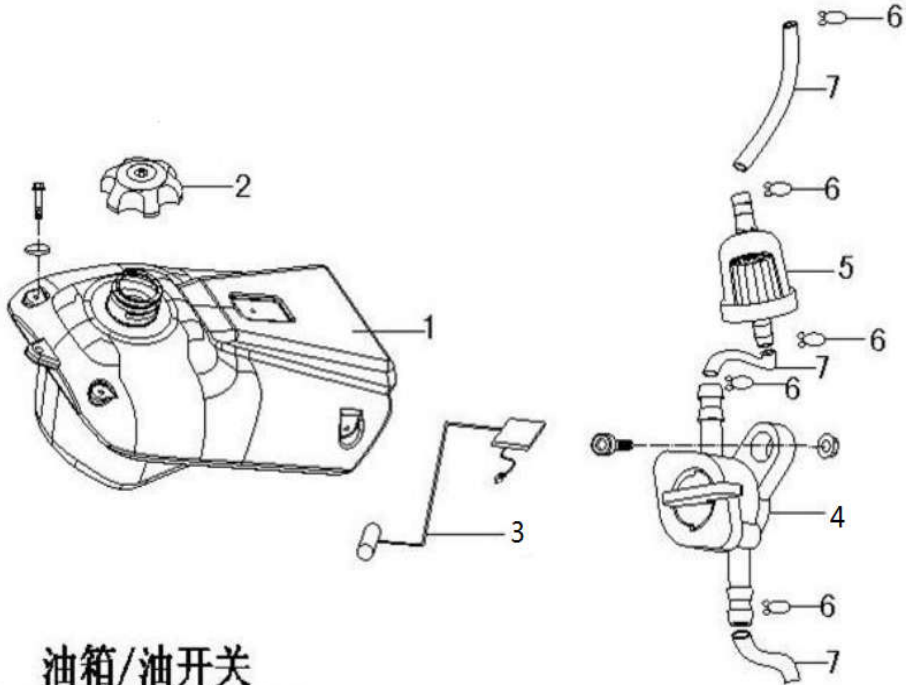
序号	件号	规格型号	英文名称
No.	Part No.	Type	Description
1	310015010001	长1050mm_露125mm	CLUTCH CABLE
2	310003003001	APL-PPR-不带内芯	GRIPS
	310006003001	36大运款	GRIP INNER CORE
3	310009007002	38- 插片式开关, 离合手柄有效中心长度1	CLUTCH LEVER
4	310011012002	38-2款-不可折叠	BRAKE LEVER
5	310013027001	弯型接头_长1050mm_露90mm	THROTTLE CABLE
6	310014005001	长1000mm-露90mm-弯90度	CHOCK CABLE
7	316001004001	36-大运带风门	Combination switch
8	310035006001	31-YH051-座孔M10 (E4-81R-000182) 镜面打DOT标	Rearview mirror



空滤器/排气消声器
AIR FILTER/MUFFLER

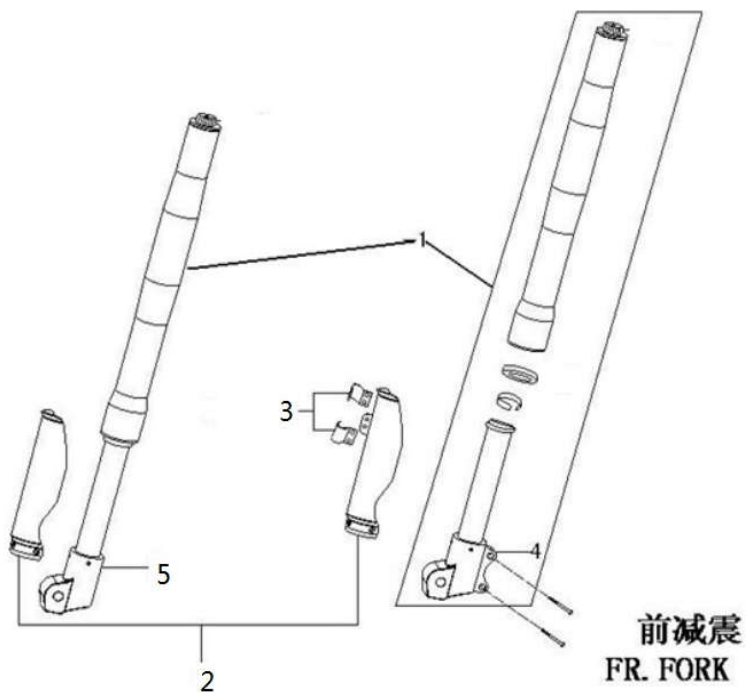
序号	件号	规格型号	英文名称
No.	Part No.	Type	Description
1	302002069001	EPA_36C (250CC. Φ38)- 抱箍式 配全包型	EXHAUSE PIPE
2	404008005002	M8X11mm (GB/T 923)	EXHAUSE PIPE NUT
3	302003013001	36越野-250CC-抱箍式-直排	MUFFLER
4	301032003001	36 (标识: CQTZ)	AIR FILTER
	301022006001	EPA_36_塑料_外壳和盖子打码DAF	CASE, AIR FILTER

5	301023001001	36	UPPER COVER, AIR FILTER	A8
	301024001001	36	SIDE COVER, AIR FILTER	
6	301033004001	36_新款_四孔固定	AIR INLET PIPE	
	303061002002	36_铁	PLATE, AIR FILTER	
7	301034006001	38-57	LOCK HOOP, CONNECT PIPE	
8	302006014001	36系列-全包型(2018款)	EXHAUST PIPE SHIELD	
9	3114003	36C款	AIR FILTER ASSY.	

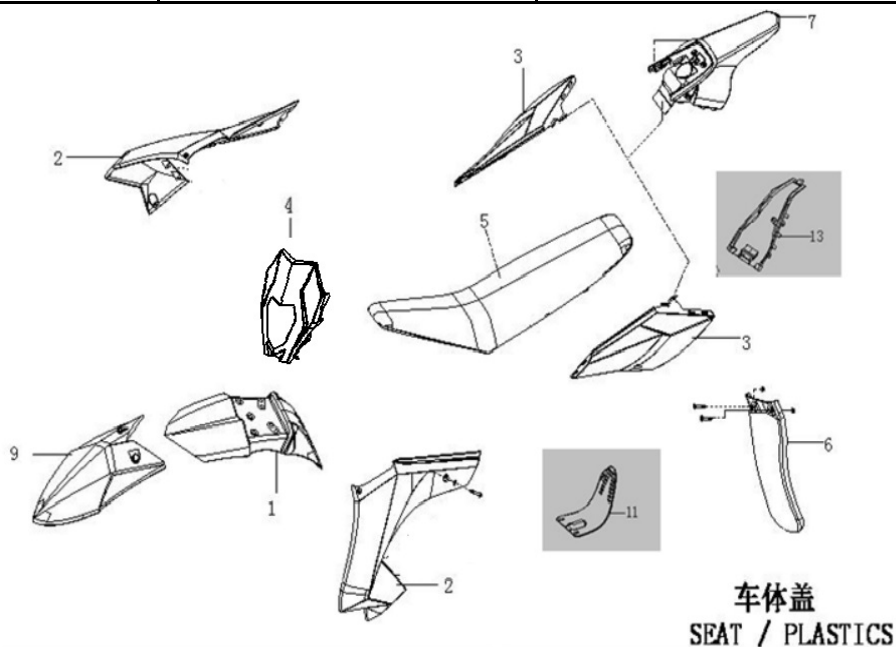


油箱/油开关
FUEL TANK/FUEL COCK

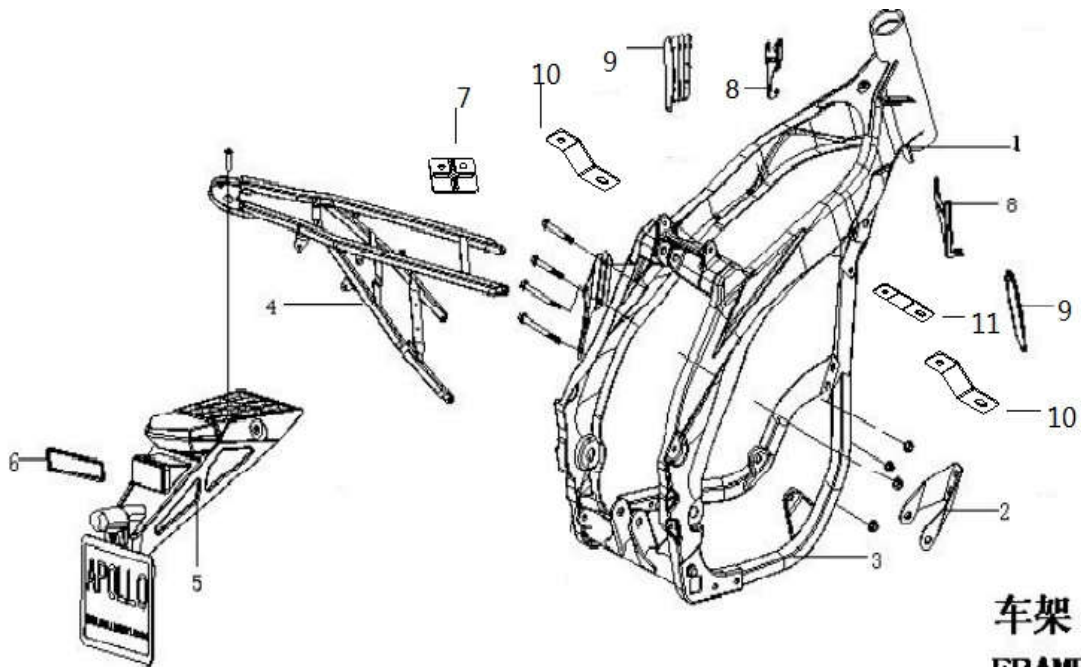
序号	件号	规格型号	英文名称
No.	Part No.	Type	Description
1	312001024002	36铁(国3)_阿波罗打码HX-01_有油位传感器安装孔	FUEL TANK
2	312002013001	A36C_油箱盖_电门锁线长300mm(20120315更改)	FUEL CAP
3	317008003002	36-液晶仪表_电阻式_线长300mm_APL-2	FUEL LEVER SENSOR
4	312005005001	29	PET-COCK
5	312003005001	塑料_黄色纸芯式	FUEL FILTER
6	319005002001	Φ8. 5X8X0. 8	HOSE CLAMP
7	312004003002	Φ4. 5XΦ8. 5(单位:米)	FUEL HOSE



序号	件号	规格型号	英文名称
No.	Part No.	Type	Description
1	305001063001	36-DOT车型_S01(Q3D)_29#- II 铝头 不可调 830mm 前轮轴孔 \varnothing 15.	FRONT FORK.
2	304010002007	30EF-800前减_直径51mm	FORK PROTECTIVE COVER
3	318001013002	37-3_32X30mm_铝	BRAKE TUBE FIXER
4	305006001001	29#-II_ ϕ 12mm_M33*1.25mm_ ϕ 51mm	ALUMINIUM TIP OF FRONT SHOCK. L
5	305007001001	29#-II_ ϕ 12mm_M33*1.25mm_ ϕ 51mm	ALUMINIUM TIP OF FRONT SHOCK. R



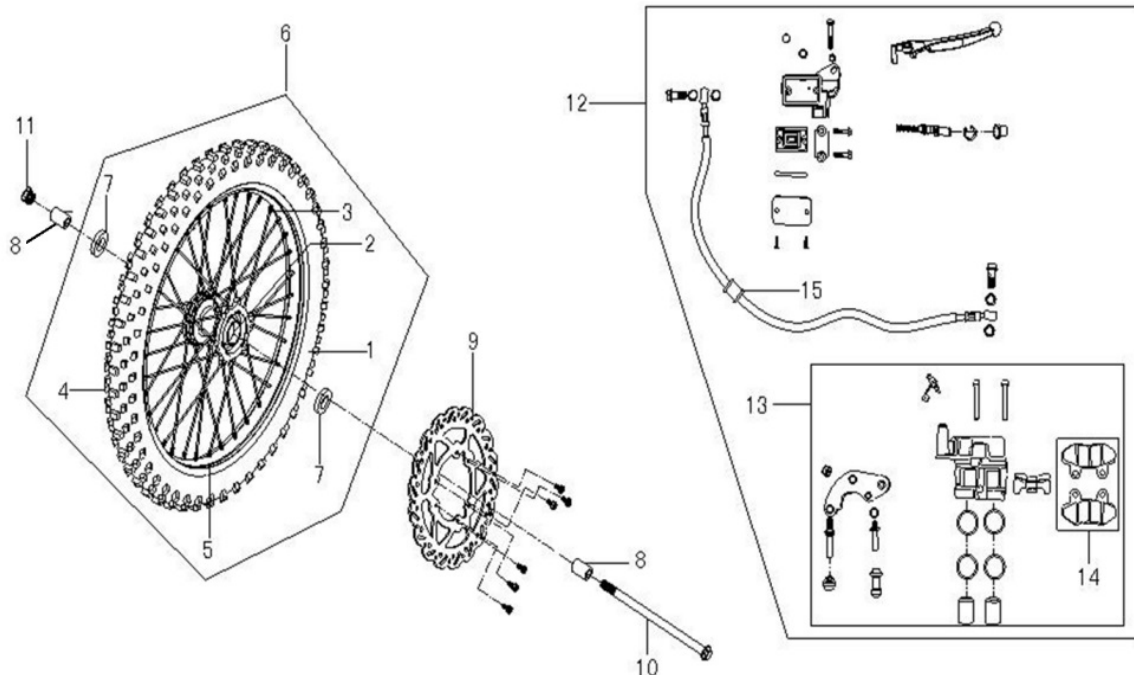
序号	件号	规格型号	英文名称
No.	Part No.	Type	Description
1	304017001002	36	FRONT FENDER. REAR PART
2	304001005002	36	FRONT COVER
3	304005004004	36	REAR COVER
4	316013049001	RX36C_DOT标识 (TL-217) 配套组装好黑色面罩 灯泡12V/35	FRONT LIGHT
5	313001020001	36	SEAT
6	304018002001	31	REAR MUD FLAP
7	304009004004	36	REAR FENDER
9	304016002002	36_短	FRONT FENDER. RRONT PART
11	304040001001	36_塑料	ENGINE PLATE (PLASTIC)
13	304019001001	AGB36-09000013-2S_PP塑料	REAR MUD COVER



车架
FRAME

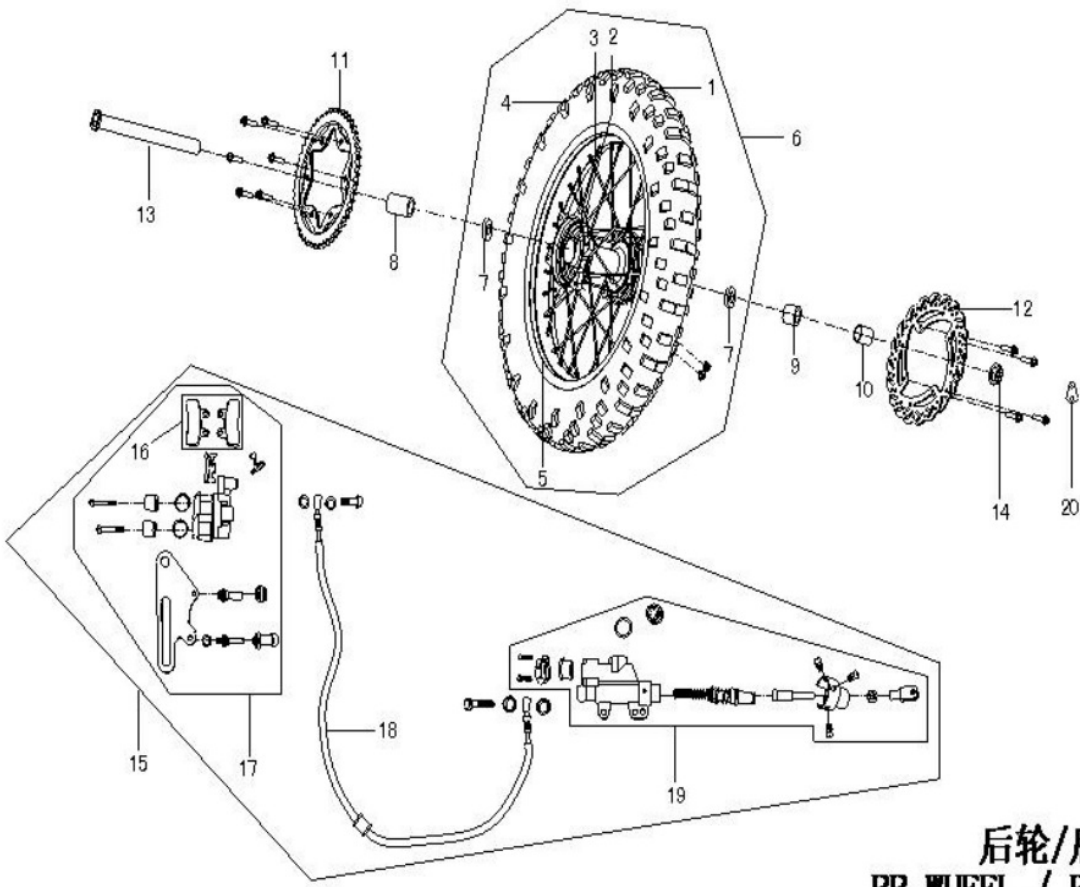
序号	件号	规格型号	英文名称
No.	Part No.	Type	Description
1	303001436004	36C_铁_不打线扣孔_增加两成型线卡	FRAME
2	303016003005	36_铁	FRONT BRACKET FIX TO ENGINE
3	303018002005	36_铁	UNDER ENGINE SUPPORT
4	303006006005	36_铁	SUB-FRAME
5	304021002001	36_塑料	REAR LIGHT BRACKET
6	318006006001	KM(DOT)-202 (1A-E9-021269)_方形	Rear reflectors
7	303042001005	36_铁	SEAT BRACKET
8	303030003006	36_铁	BRACKET OF AIR DEFLECTORS

9	304027003001	36	AIR DEFLECTORS	A8
10	303033002007	36_铁	BRACKET FRONT COVER	
11	303037002003	36C二次补气阀安装片(36油箱后固定片未成型状态) 铁	Gulp valve bracket	



前轮/前碟刹 FR. WHEEL/FR. DISK BRAKE

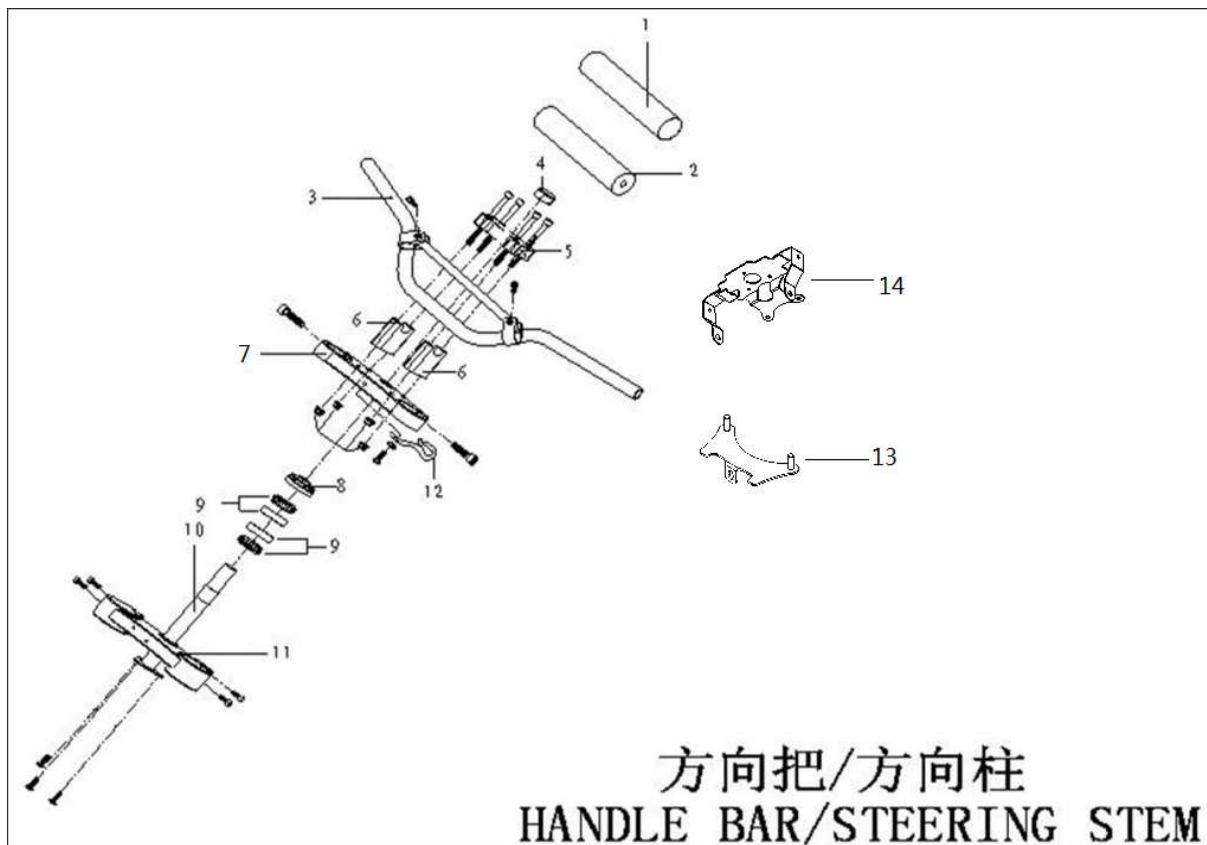
序号	件号	规格型号	英文名称
No.	Part No.	Type	Description
1	307008056001	深纹_DOT轮胎_100/80-17	INNER TUBE
2	307003222001	L-M14(轴直径15mm)-2.5X17(250-6)两轴承端面距79mm.	FRONT. HUB RIMS
3	***	17”_9#长184mm(铁. 碟刹. 250-6)	SPOKE, FR. WHEEL
4	307005070001	摩托车轮胎 标识: DOT-85SN_100/80-17(280KPa 40PSI)58P • 6PR	FRONT TIRE
5	***	17 “	INNER TUBE PROTECTOR
6	***	17寸_前轮_F-M15-J17XMT2.50-(250-6)100/80-17-DOT	FRONT WHEEL
7	319018006001	φ 28X φ 42X7mm(整体轮前左)	OIL SEAL
8	319001208001	φ 15.5X φ 25X23mm	SPACER
9	308002008001	31-H φ 269.5X φ 101	FRONT-BRAKE DISK
10	401002080002	M14X1.5X225mm_10.9级_带螺母(GB/T 16674.2)	FRONT AXLE
11	404005005002	M14X1.5(GB/T 6187.2)	NUT
12	309005154001	36C_DOT状态_管长1295mm_大双泵黑色_无石棉摩擦片_插片开关	FRONT. DISK BRAKE ASSY.
13	308007010001	31	FRONT. CALIPER ASSY.
14	308009004002	五羊型(29B、30、38-2、37-3、37-5前碟刹)	FRONT. BRAKE PAD ASSY



后轮/后制动器
RR. WHEEL / RR. BRAKE

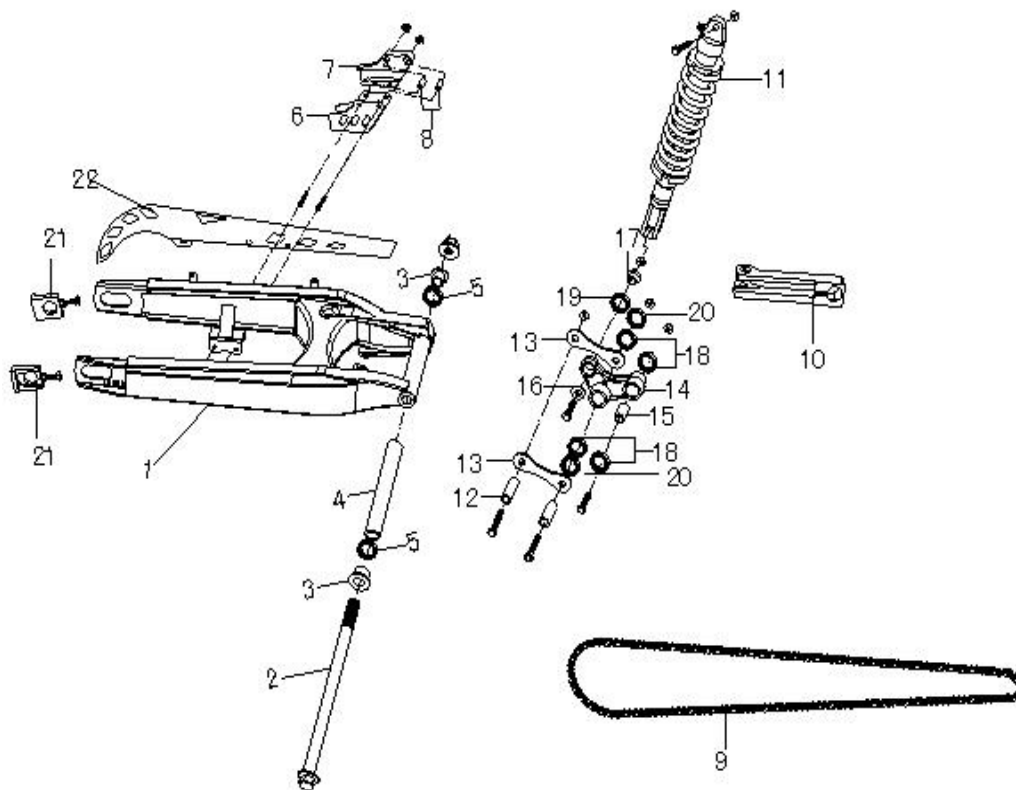
序号	件号	规格型号	英文名称
No.	Part No.	Type	Description
1	307008057001	深纹_DOT轮胎_130/70-17	INNER TUBE
2	307004174001	L-M14(轴直径15mm)-3.0X17(250-6)	REAR. HUB RIMS
3	***	17" _9#长184mm(铁. 碟刹. 250-6)	SPOKE
4	307005071001	摩托车轮胎_标识: DOT-85MQ_130/70-17(280KPa_40PSI)68P_6PR	REAR TIRE
5	***	17 "	INNER TUBE PROTECTOR
6	***	17寸_后轮_F-M14-J17XMT3.00(250-6)_130/70-17	REAR WHEEL
7	319018024001	Φ 32-Φ 47X7 (36款整体式轮毂用)	OIL SEAL
8	319002163001	Φ 15. 5X Φ 25X40mm	SPACER
9	319002164001	Φ 15. 5X Φ 25X28mm	SPACER
10	319001206001	Φ 15. 5X Φ 25X17mm	SPACER
11	311003020002	D38A-定位直径125mm 530-38T)_铁	SPROCKET
12	308004014001	整体铝轮毂-HΦ 238XΦ 116 要求:端面黑色	REAR-DISC
13	401002088002	M14X1. 5X265mm_10. 9级_带螺母(GB/T 16674_2)法兰直径26±0. 5mm	REAR AXLE
14	404005005002	M14X1. 5(GB/T 6187. 2)	NUT
15	309006234001	36C_DOT状态_大双泵_L1=40、L2=85、 变斗型接头_管接头朝前	REAR BRAKE ASSY.
16	308009032001	大A型 (29B/30/38-2/37-5后碟刹)	REAR. BRAKE PAD SET

17	308007112001	AGB-38-2	REAR. CALIPER ASSY.	A8
18	308006116001	36C_DOT状态	REAR . BRAKE HOSE	
19	308008009002	36C (36低配款)	REAR MASTER CYLINDER ASSY	



序号	件号	规格型号	英文名称
No.	Part No.	Type	Description
1	320052129001	9471-36C带灯具/233X175MM	CROSS BAR COVER
2	304035003001	38-2(Φ 11XΦ 48X230mm)	CROSS BAR FOAM
3	310001025004	38-2-Φ 22mmX810mm-加厚(2.5)-铁	HANDLE BAR
4	405006027001	Φ 26XΦ 40X1	WASHER
	310025003001	M25(S30*M25*1)	NUT STEERING UPPER
5	310019005005	29B_20mm_铝_一体式	HANDLE BAR RISER, TOP
6	310020003007	29B_55mm_铝	HANDLE BAR RISER, BOTTOM
7	310021012002	36低配_Φ 25	UPPER CLAMP
8	310024003002	M25*1*62	STEERING STEM LOCK NUT
9	409003003001	GB/T 297_320/28	ROLLER BEARING
10	310023008004	36C-M25X1X268mm_铁	STEERING STEM
11	310022013001	36低配_Φ 28_带反光片固定孔	BOTTOM CLAMP
13	303075002002	36_DOT状态配10C-5仪表_铁板2.0mm	FRONT LIGHT BRACKET

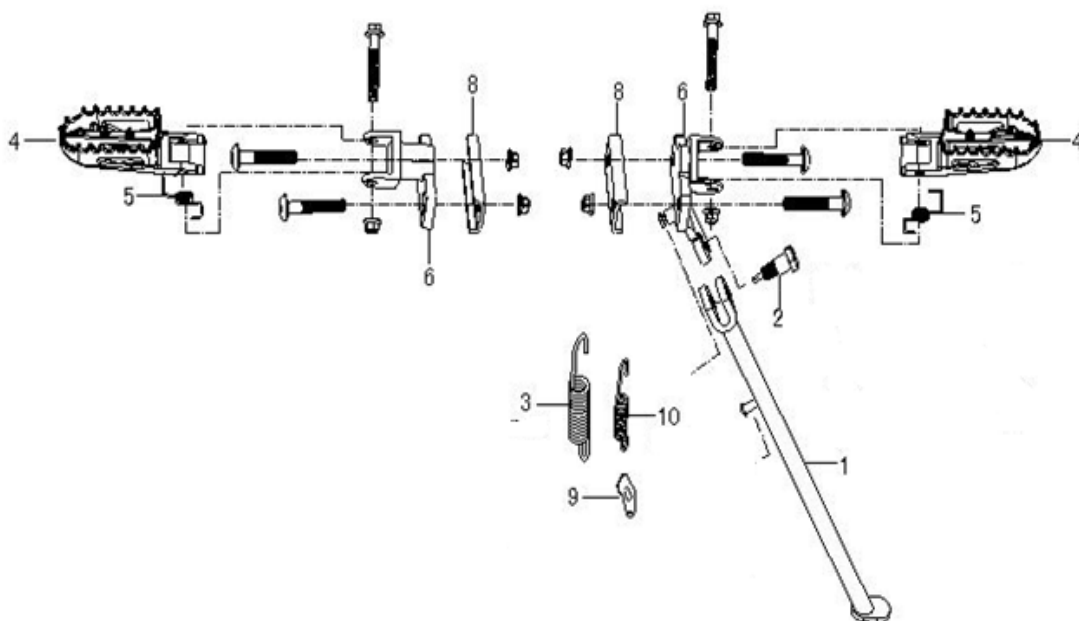
14	304022004002	36DOT状态配10C-5仪表	DISPLAY BRACKET	A8
----	--------------	-----------------	-----------------	----



后叉 RR. SWINGARM

序号	件号	规格型号	英文名称
No.	Part No.	Type	Description
1	306005021005	36C_铁_配M14后轮轴用	REAR SWING ARM
2	401002089001	M14X1.5X275mm_10.9级_带螺母(GB/T 16674_2)	REAR SWING ARM BOLT
3	319002020001	φ15.5Xφ20X18(台阶φ30X3mm)_铁_硬度45-50HRC	STEP BEARING
4	319001053001	φ15.5Xφ21X170mm_铁	CHAIN-GUIDE INSERT
5	409001005001	GB/T 290_HK2016(Fw=20,D=26,B=16)	NEEDLE BEARING
6	306007002006	30_铁	CHAIN GUIDE-BRACKET
7	306010002001	30	CHAIN-GUIDE INSERT
8	319001077001	φ7Xφ12X33mm_铁	SPACER
9	311001101001	530-108节_SFR	CHAIN
10	304034006001	38-2	BUFFER CHAIN
11	306001019001	36-型号:A410B03-A(供应商代号S02(H01)),不可调_410mm	REAR SHOCK
12	319001230001	φ12.5Xφ18X61mm_铁	SPACER
13	303048003004	36_铁	LOWERING LINK BRACKET
14	306008001001	30_铝	SUSPENSION LINKAGE
15	319001229001	φ12.5Xφ18X40mm_铁	SPACER

16	319001245001	Φ 10X Φ 16X22.5_铁	STEP BUSH	A8
18	409001003001	GB/T 290_HK1812 (Fw=18, D=24, B=12)	NEEDLE BEARING HK18126	
19	409001001001	GB/T 290_HK1612 (Fw=16, D=22, B=12)	NEEDLE BEARING HK1612	
20	319014004001	Φ 18X Φ 28X4mm	DUSTPROOF SEAL	
20	319014002001	Φ 15.5X Φ 22.5X3mm	DUSTPROOF SEAL	
21	306006029001	30-铝-宽40mm-方形- Φ15.5mm台阶Φ28mm(孔心到端面距离)	Chain adjuster	
	401003012002	M8X60X1.25_8.8级_全螺纹(GB/T 5789)	Chain adjuster bolt	
	405006049002	Φ 8X Φ 16X2	washer	
	405003011004	Φ 8 (GB/T 93)	spring washer	
	404001004002	M8 (GB/T 6170)	nut	
22	304032001002	半包型, PP材料	CHAIN COVER	



脚踏/侧支架
FOOT PEG/KICK STAND ASSY

序号	件号	规格型号	英文名称
No.	Part No.	Type	Description
1	303012033004	直-235mm-双弹簧(开档8.5)	SIDE STAND
2	319011017002	M10X24.5mmX1.25(台阶Φ12X12.5mm)_ 8.8级	SIDE STAND BOLT
3	319007028001	130mm	SPRING, SIDE STAND (outside)
4	303010004004	31款_铁	FOOT PEGS
5	319007015001	APL-1_配新款踏脚	SPRING, FOOT PEGS
6	303007008004	36-双弹簧_00-04B_铁	FOOT PEG BRACKET

8	303009002004	36_铁	FOOT PEG BRACKET SUPPORT	A8
9	303126001004	APL-1	SPRING CLIP	
10	319007027001	130mm	SPRING, SIDE STAND (small)	